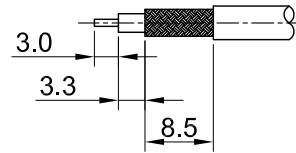
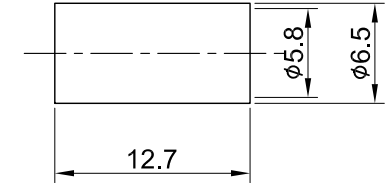
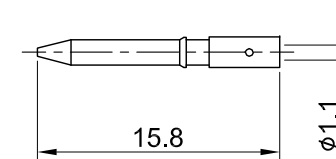
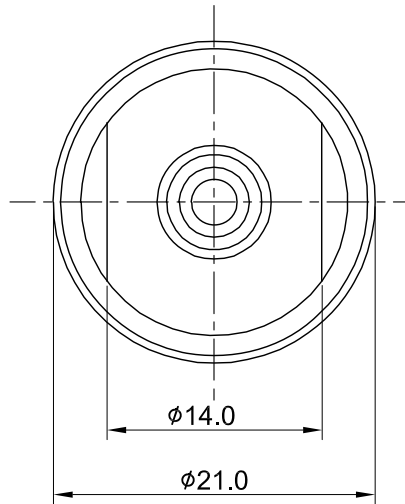
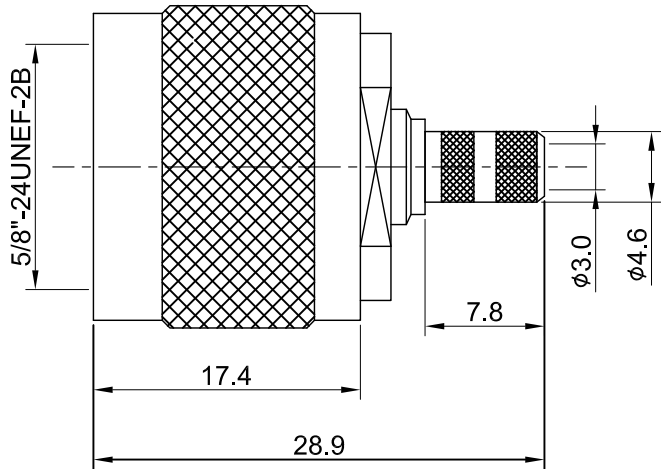


REV	DESCRIPTION	DATE
1.10	NEW DRAWING FRAME	2023/08/29
1.11	CORRECT INSULATION RESISTANCE UNIT	2023/12/28



RECOMMENDED STRIP LENGTHS



MECHANICAL DATA
TEMPERATURE RANGE : -65°C ~ + 165°C

ELECTRICAL DATA
FREQUENCY RANGE: DC~6GHz
IMPEDANCE : 50Ω
VSWR : 1.35 MAX.
WORKING VOLTAGE : AC 1000V
WITHSTANDING VOLTAGE : AC 2500V
INSULATION RESISTANCE : 5000 MΩ MIN

07	FERRULE	BRASS	NICKEL	1
06	CONTACT	BRASS	GOLD	1
05	GASKET	SILICONE RUBBER	NONE	1
04	C-RING	SUS304	NONE	1
03	SHELL	BRASS	NICKEL	1
02	INSULATOR	TEFLON	NONE	1
01	BODY	BRASS	NICKEL	1
NO	DESCRIPTION	MATERIAL	FINISH	Q'TY

TITLE		DRAWN BY:		CHK'D BY:		REVISION	
N(M)st. crimp for RG142/RG400 cable		Kelly		Eileen		REV.	
DWG NO. C27CA31400001		2023/12/28		2023/12/28		1.11	
CUST. P/N: N/A DWG NO: N/A		GENERAL TOLERANCES .X ±0.2 .XX ±0.2 .XXX ±0.2 ANGLES N/A		DA2312280015			
SHEET 1 of 1 Unit: mm							

