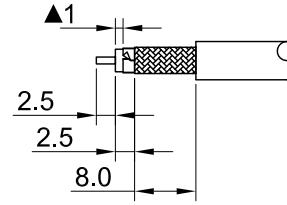
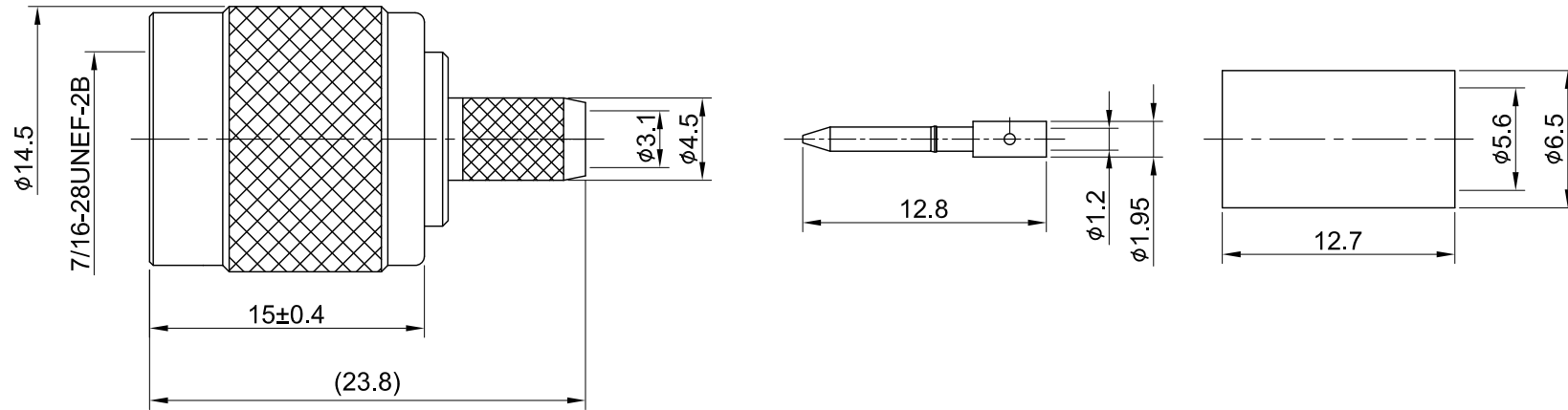


REV	DESCRIPTION	DATE
1.30	CHG 2.5/ 12.8 W. 2.2/13.3	2021/09/29
1.40	UPDATE RECOMMENDED STRIP LENGTHS	2024/10/14



RECOMMENDED STRIP LENGTHS



MECHANICAL DATA  
TEMPERATURE RANGE : -65°C ~ + 165°C

ELECTRICAL DATA  
FREQUENCY RANGE: DC~6GHz  
IMPEDANCE : 50Ω  
VSWR : 1.3 MAX.  
WORKING VOLTAGE : AC 500V  
WITHSTANDING VOLTAGE : AC 1500V  
INSULATION RESISTANCE : 5000 MΩ MIN

08	FERRULE	BRASS	NICKEL	1	TITLE TNC(M) st. crimp for LMR200/3D2V			
07	WASHER	BRASS	NICKEL	1				
06	INNER RETAINING RING	BRASS	NICKEL	1	DWG NO. C17CA3FL20002-1		GENERAL TOLERANCES .X ±0.2 .XX ±0.2 .XXX ±0.2 ANGLES N/A	
05	SHELL	BRASS	NICKEL	1				
04	GASKET	SILICONE RUBBER	RED	1	CUST. P/N: N/A DWG NO: N/A		DRAWN BY: Kelly 2024/10/14	
03	CENTER PIN	BRASS	GOLD	1			CHK'D BY: Chili 2024/10/14	
02	INSULATOR	TEFLON	NONE	1	SHEET 1 of 1 Unit: mm		REV. 1.40	
01	BODY	BRASS	NICKEL	1				
NO	DESCRIPTION	MATERIAL	FINISH	Q'TY			DA2410140015	