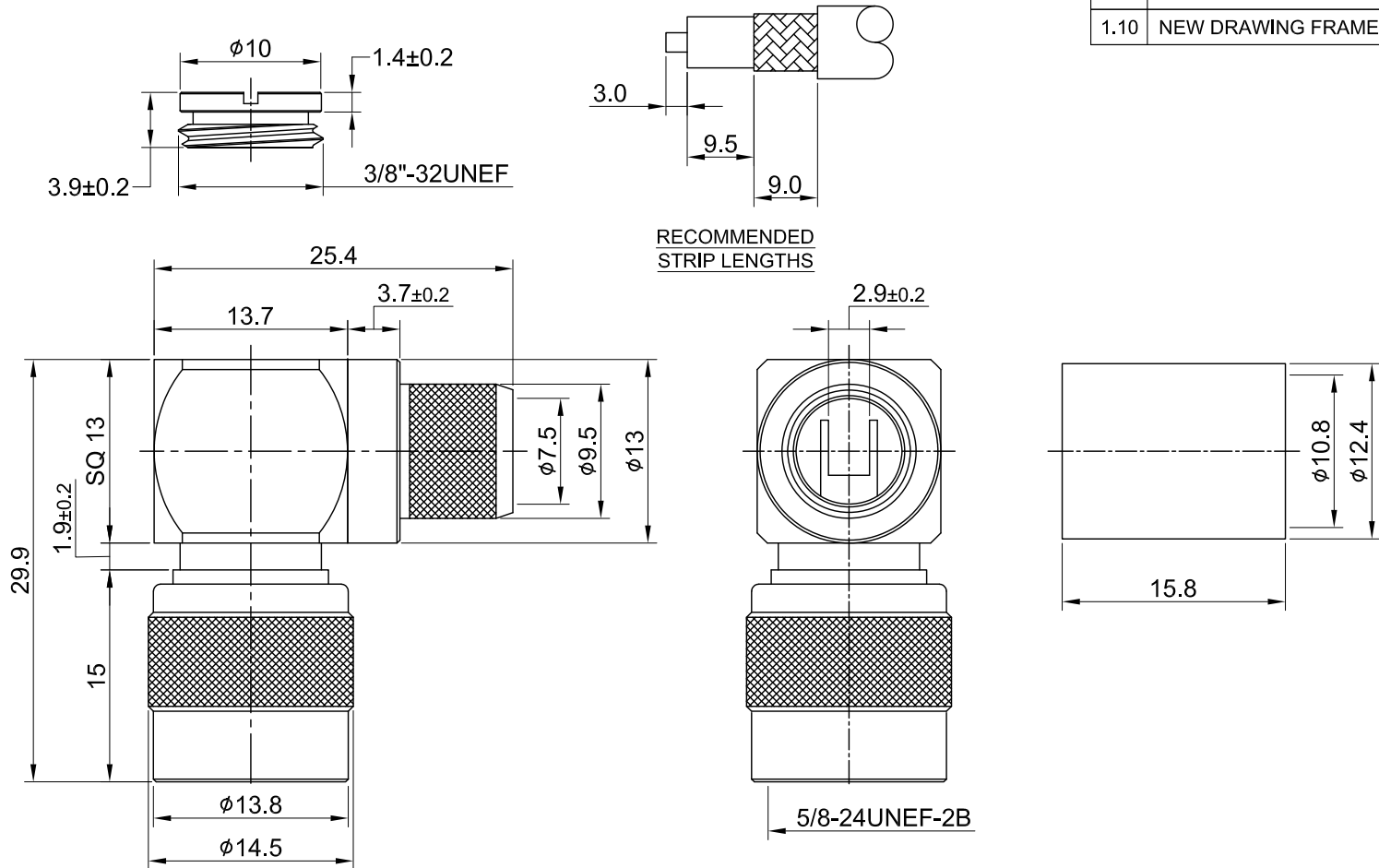


REV	DESCRIPTION	DATE
1.00	INITIAL DESIGN	2023/01/13
1.10	NEW DRAWING FRAME	2024/04/10



MECHANICAL DATA  
TEMPERATURE RANGE : -20°C ~ + 80°C

ELECTRICAL DATA  
FREQUENCY RANGE: DC~1GHz  
IMPEDANCE : 50Ω  
VSWR : 1.5 MAX.  
WORKING VOLTAGE : AC 1500V  
WITHSTANDING VOLTAGE : AC 2500V  
INSULATION RESISTANCE : 5000 MΩ MIN

10	CHASSIS	BRASS	NICKEL	1
09	FERRULE	BRASS	NICKEL	1
08	NUT	BRASS	NICKEL	1
07	BODY B	BRASS	NICKEL	1
06	BODY A	BRASS	NICKEL	1
05	CENTER PIN	P.BRONZE	GOLD	1
04	WASHER	STAINLESS STEEL	NONE	1
03	GASKET	PVC	NONE	1
02	INSULATOR	TEFLON	NONE	1
01	SHELL	BRASS	NICKEL	1
NO	DESCRIPTION	MATERIAL	FINISH	Q'TY

TITLE		TNC(M) ra. crimp type for LMR400/RG213	
DWG NO.		C17DA3FL40004	
CUST. P/N:		N/A	
DWG NO:		N/A	
SHEET 1 of 1		Unit: mm	
GENERAL TOLERANCES		DRAWN BY: Kelly 2024/04/10	
.X ±0.2		CHK'D BY: Kana 2024/04/10	
.XX ±0.2		REV.	
.XXX ±0.2		DA2403270017	
ANGLES N/A		1.10	

