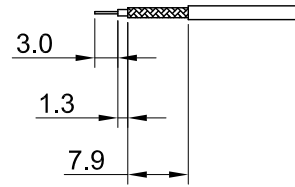
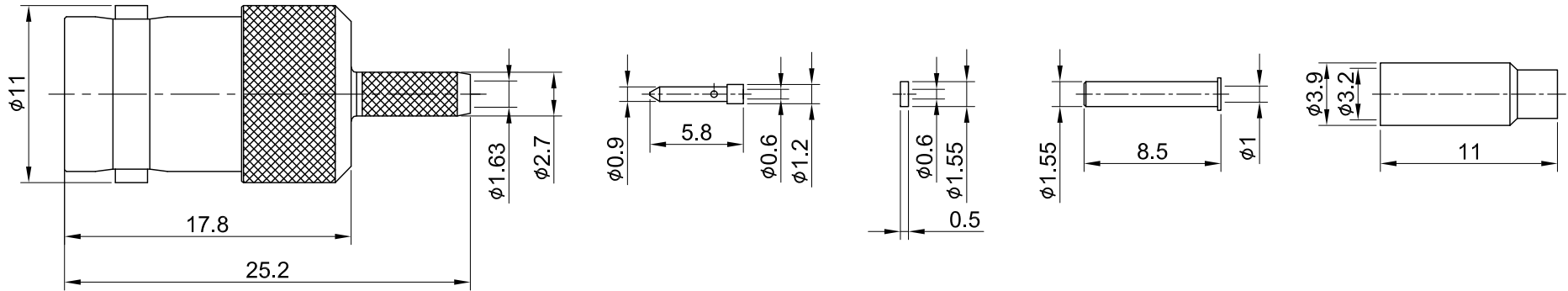


REV	DESCRIPTION	DATE
1.01	CORRECT TITLE	2016/06/02
1.10	NEW DRAWING FRAME	2024/10/18




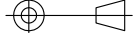
RECOMMENDED STRIP LENGTHS



MECHANICAL DATA
 DURABILITY : 500 CYCLES
 TEMPERATURE RANGE : -65°C ~ + 165°C

ELECTRICAL DATA
 FREQUENCY RANGE: DC~3GHz
 IMPEDANCE : 50Ω
 VSWR : 1.5 MAX.
 WORKING VOLTAGE : AC 500V
 WITHSTANDING VOLTAGE : AC 1500V
 INSULATION RESISTANCE : 5000 MΩ MIN

09	FERRULE B	BRASS	NICKEL	1
08	FERRULE A	BRASS	NICKEL	1
07	INSULATOR B	TEFLON	NONE	1
06	BULLET CONTACT	BRASS	GOLD	1
05	CENTER CONTACT	Be.Cu	GOLD	1
04	PRESS WASHER	BRASS	NICKEL	1
03	CENTER PIN	BRASS	GOLD	1
02	INSULATOR A	TEFLON	NONE	1
01	BODY	BRASS	NICKEL	1
NO	DESCRIPTION	MATERIAL	FINISH	Q'TY

TITLE		DRAWN BY: Kelly		2024/10/18
BNC(F) st. crimp type for RG178, Nickel		CHK'D BY: Chili		2024/10/18
DWG NO. C16CA3F178003				REV. 1.10
CUST. P/N: N/A		GENERAL TOLERANCES .X ±0.2 .XX ±0.2 .XXX ±0.2 ANGLES N/A		DA2410170008 Unit: mm
DWG NO: N/A				
SHEET 1 of 1				