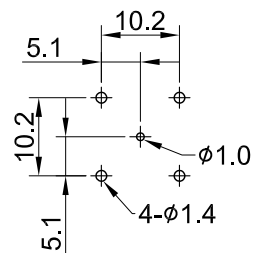
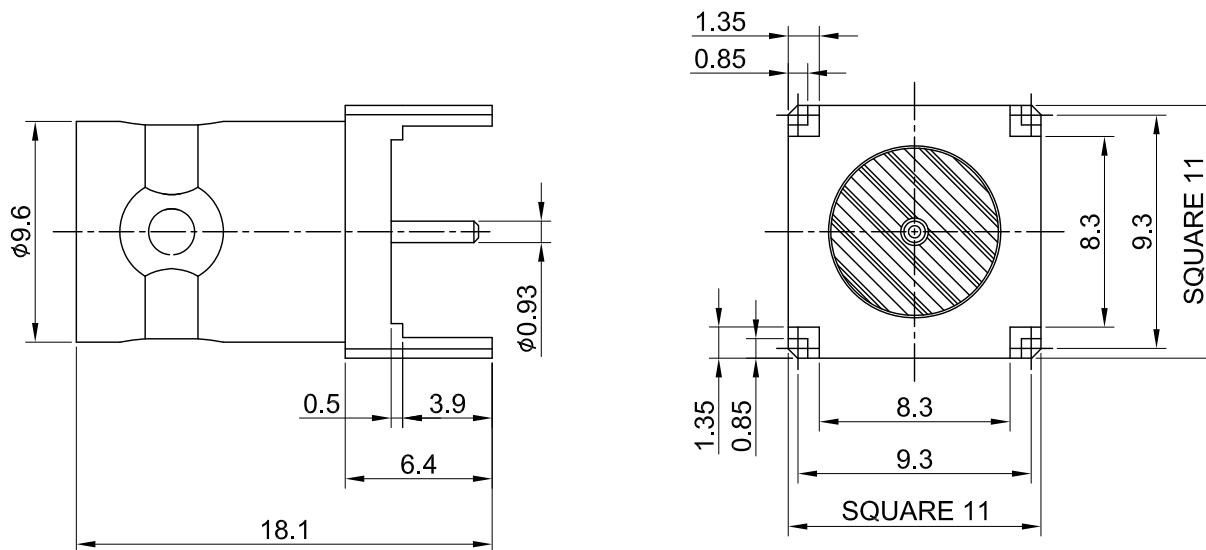


REV	DESCRIPTION	DATE
1.00	INITIAL DESIGN	2019/05/06
1.10	NEW DRAWING FRAME	2024/10/17



RECOMMENDED  
PCB LAYOUT



MECHANICAL DATA  
 DURABILITY : 100 CYCLES  
 TEMPERATURE RANGE : -65°C ~ + 165°C

ELECTRICAL DATA  
 FREQUENCY RANGE: DC~4GHz  
 IMPEDANCE : 50Ω  
 VSWR : 1.5 MAX.  
 WORKING VOLTAGE : AC 500V  
 WITHSTANDING VOLTAGE : AC 1500V  
 INSULATION RESISTANCE : 5000 MΩ MIN

TITLE  
 BNC(F) st. for PCB, SQ11 panel, total 18.1mm

DWG NO.  
 C16CN3F04-1



NO	DESCRIPTION	MATERIAL	FINISH	Q'TY
03	CENTER PIN	P.BRONZE	GOLD	1
02	INSULATOR	TEFLON	NONE	1
01	BODY	BRASS	NICKEL	1

CUST. P/N: N/A  
 DWG NO: N/A  
 SHEET 1 of 1 Unit: mm

GENERAL TOLERANCES		DRAWN BY: Kelly 2024/10/17	
.X	±0.2		CHK'D BY: Chili 2024/10/17 REV. 1.10
.XX	±0.2		
.XXX	±0.2		
ANGLES	N/A	DA2410170007	