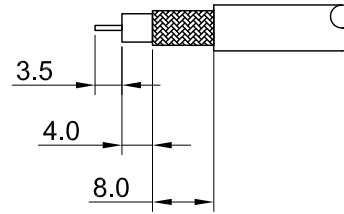
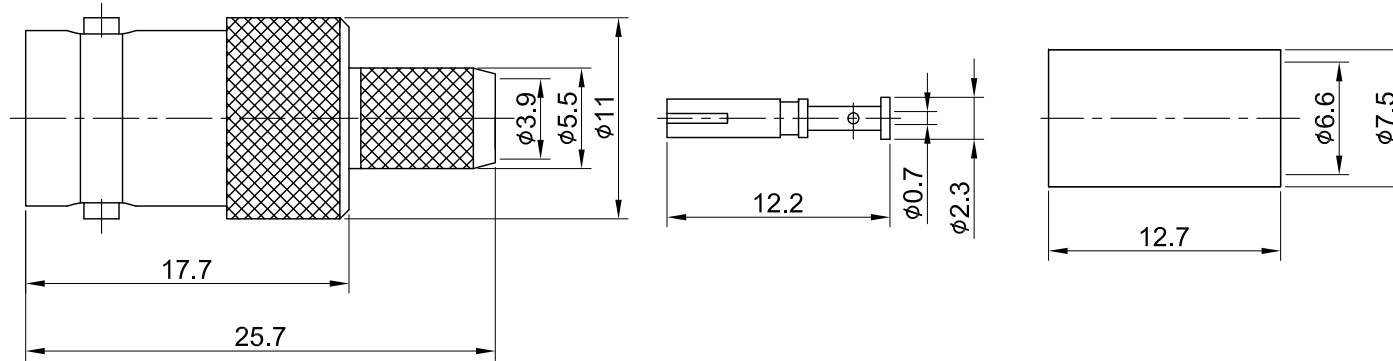


REV	DESCRIPTION	DATE
1.01	CHG DIM 3.5/4/8 W. 3/3.5/9, UPDATE	2013/05/02
1.10	NEW DRAWING FRAME	2024/10/17



RECOMMENDED STRIP LENGTHS



MECHANICAL DATA
 DURABILITY : 100 CYCLES
 TEMPERATURE RANGE : -65°C ~ + 165°C

ELECTRICAL DATA
 FREQUENCY RANGE: DC~2GHz
 IMPEDANCE : 75Ω
 VSWR : 1.5 MAX.
 WORKING VOLTAGE : AC 500V
 WITHSTANDING VOLTAGE : AC 1500V
 INSULATION RESISTANCE : 5000 MΩ MIN

TITLE		DRAWN BY: Kelly		2024/10/17	
BNC(F) st. crimp type for RG59, 75ohm		CHK'D BY: Chilli		2024/10/17	
DWG NO. C16QA3F059003A		GENERAL TOLERANCES			
CUST. P/N: N/A		.X ±0.2			
DWG NO: N/A		.XX ±0.2			
SHEET 1 of 1		.XXX ±0.2		REV. 1.10	
Unit: mm		ANGLES N/A		DA2410170005	

NO	DESCRIPTION	MATERIAL	FINISH	Q'TY
05	FERRULE	BRASS	NICKEL	1
04	WASHER	BRASS	NICKEL	1
03	CENTER PIN	P.BRONZE	GOLD	1
02	INSULATOR	TEFLON	NONE	1
01	BODY	BRASS	NICKEL	1