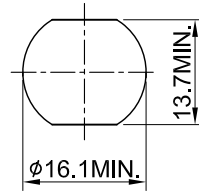
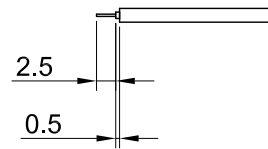


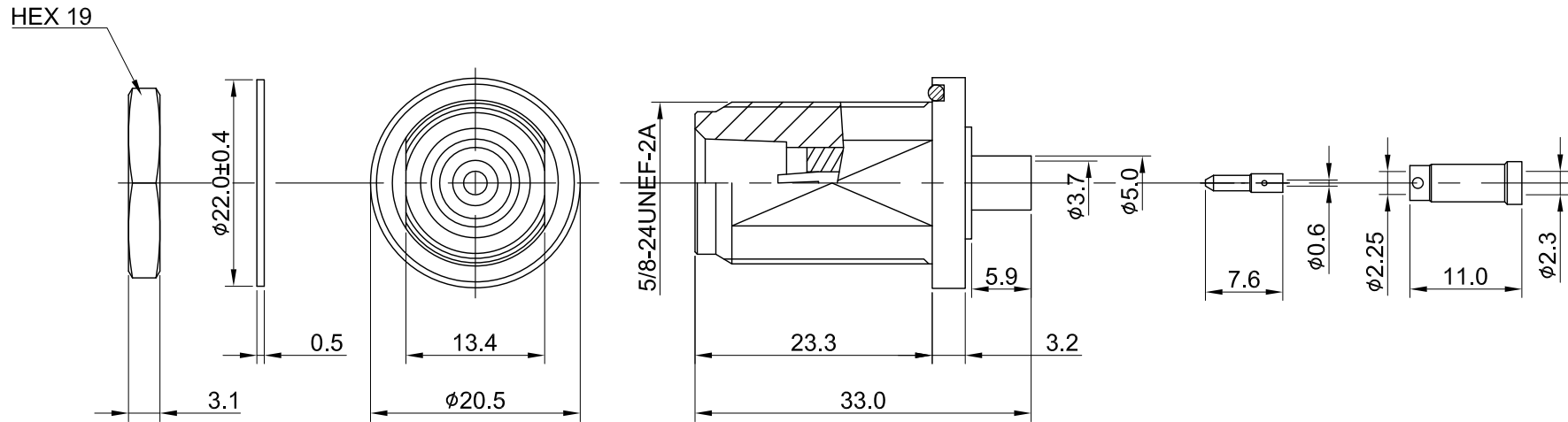
REV	DESCRIPTION	DATE
2.01	SHOW FULL MATERIAL NAME SILICONE RUBBER	2021/03/02
2.10	CHG C28CE31085002G-1 W. C28CE31085002F	2024/10/04
2.11	UPDATE TITLE	2024/10/24



RECOMMENDED MOUNTING HOLE



RECOMMENDED STRIP LENGTHS



MECHANICAL DATA
 DURABILITY : 100 CYCLES
 TEMPERATURE RANGE : -65°C ~ + 165°C

ELECTRICAL DATA
 FREQUENCY RANGE: DC~10GHz
 IMPEDANCE : 50Ω
 VSWR : 1.35 MAX.
 WORKING VOLTAGE : AC 1000V
 WITHSTANDING VOLTAGE : AC 2500V
 INSULATION RESISTANCE : 5000 MΩ MIN

08	NUT	BRASS	NICKEL	1	TITLE	
07	WASHER	BRASS	NICKEL	1	N(F) bh. w/Oring for 0.085" semi cable, 10GHz	
06	GASKET	SILICONE RUBBER	BLACK	1	DWG NO. C28CE31085002G-1	
05	SLEEVE	BRASS	NICKEL	1	CUST. P/N: N/A	
04	CONTACT	BRASS	GOLD	1	DWG NO: N/A	
03	CENTER PIN	P.BRONZE	GOLD	1	GENERAL TOLERANCES	
02	INSULATOR	TEFLON	NONE	1	DRAWN BY: Kelly 2024/10/24	
01	BODY	BRASS	NICKEL	1	CHK'D BY: Eileen 2024/10/24	
NO	DESCRIPTION	MATERIAL	FINISH	Q'TY	SHEET 1 of 1	Unit: mm



.X	±0.2		DA2410240010
.XX	±0.2		
.XXX	±0.2		
ANGLES	N/A		REV. 2.11