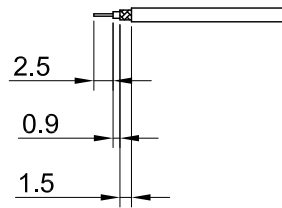
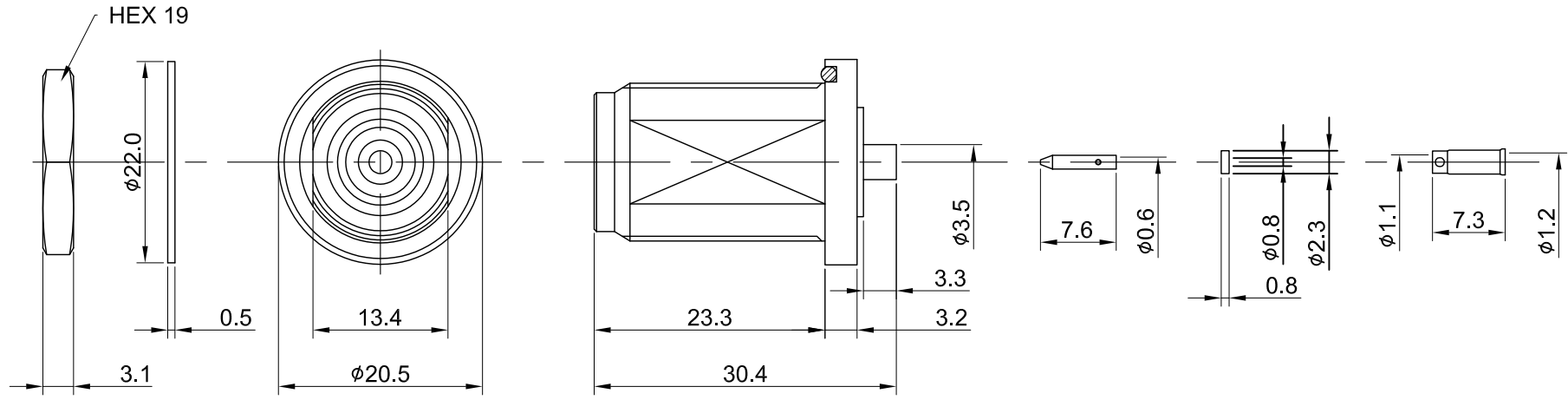


REV	DESCRIPTION	DATE
1.01	ADD DIM $\phi 2.3$	2014/08/19
1.10	NEW DRAWING FRAME	2024/10/01



RECOMMENDED STRIP LENGTHS



MECHANICAL DATA
 DURABILITY : 100 CYCLES
 TEMPERATURE RANGE : -65°C ~ + 165°C

ELECTRICAL DATA
 FREQUENCY RANGE: DC~6GHz
 IMPEDANCE : 50Ω
 VSWR : 1.35 MAX.
 WORKING VOLTAGE : AC 1000V
 WITHSTANDING VOLTAGE : AC 2500V
 INSULATION RESISTANCE : 5000 MΩ MIN


09	NUT	BRASS	NICKEL	1
08	WASHER	BRASS	NICKEL	1
07	GASKET	SILICONE RUBBER	BLACK	1
06	CONTACT	BRASS	GOLD	1
05	SLEEVE	BRASS	NICKEL	1
04	INSULATOR B	TEFLON	NONE	1
03	CENTER PIN	P.BRONZE	GOLD	1
02	INSULATOR A	TEFLON	NONE	1
01	BODY	BRASS	NICKEL	1
NO	DESCRIPTION	MATERIAL	FINISH	Q'TY

TITLE
 N(F) bh. w/Oring for 1.13 (6GHz)

DWG NO.
 C28CE31113002F-2

CUST.
 P/N: N/A
 DWG NO: N/A

SHEET 1 of 1 Unit: mm



GENERAL TOLERANCES
 .X ±0.2
 .XX ±0.2
 .XXX ±0.2
 ANGLES N/A

DRAWN BY: Kelly 2024/10/01
 CHK'D BY: Eileen 2024/10/01

REV. 1.10
 DA2410010006