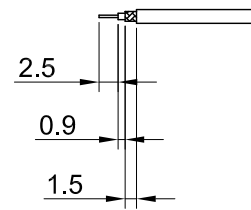
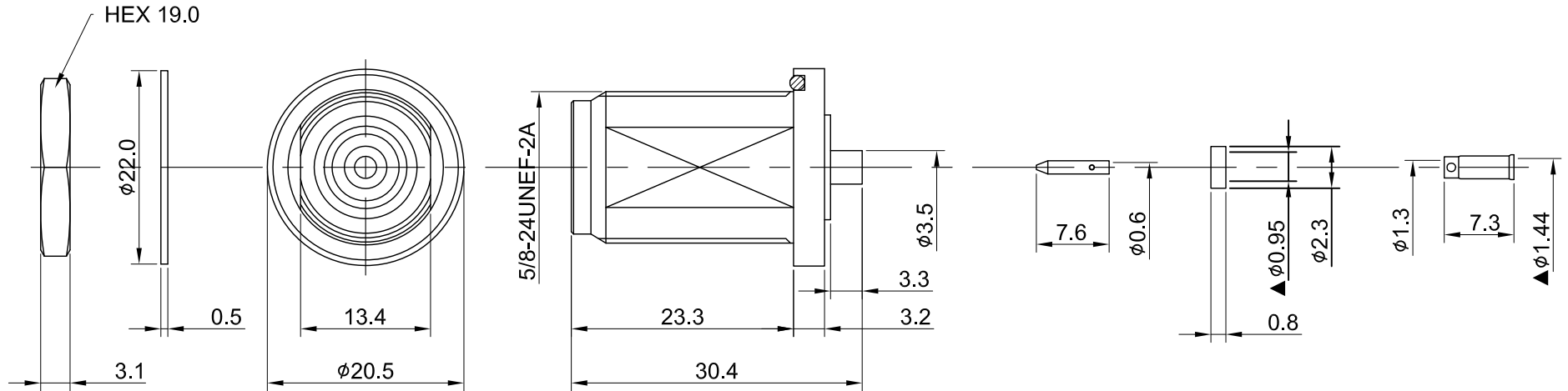


REV	DESCRIPTION	DATE
1.01	ADD DIM $\phi 0.9/\phi 2.3$	2014/08/18
1.10	CORRECT $\phi 0.95/\phi 1.44$ W. $\phi 0.9/\phi 1.4$	2024/02/21



RECOMMENDED STRIP LENGTHS



MECHANICAL DATA
 DURABILITY : 100 CYCLES
 TEMPERATURE RANGE : -65°C ~ + 165°C

ELECTRICAL DATA
 FREQUENCY RANGE: DC~6GHZ
 IMPEDANCE : 50Ω
 VSWR : 1.35 MAX.
 WORKING VOLTAGE : AC 1000V
 WITHSTANDING VOLTAGE : AC 2500V
 INSULATION RESISTANCE : 5000 MΩ MIN

09	SLEEVE	BRASS	NICKEL	1
08	CONTACT	BRASS	GOLD	1
07	INSULATOR B	TEFLON	NONE	1
06	NUT	BRASS	NICKEL	1
05	WASHER	BRASS	NICKEL	1
04	GASKET	SILICONE RUBBER	BLACK	1
03	CENTER PIN	P.BRONZE	GOLD	1
02	INSULATOR A	TEFLON	NONE	1
01	BODY	BRASS	NICKEL	1
NO	DESCRIPTION	MATERIAL	FINISH	Q'TY

TITLE		N(F) bh. w/Oring for 1.37	
DWG NO.		C28CE31137002F-2	
CUST. P/N: N/A		DWG NO: N/A	
SHEET 1 of 1		Unit: mm	
GENERAL TOLERANCES .X ±0.2 .XX ±0.2 .XXX ±0.2 ANGLES N/A		DRAWN BY: Kelly 2024/02/21 CHK'D BY: Chili 2024/02/21 REV. 1.10 DA2402210007	

