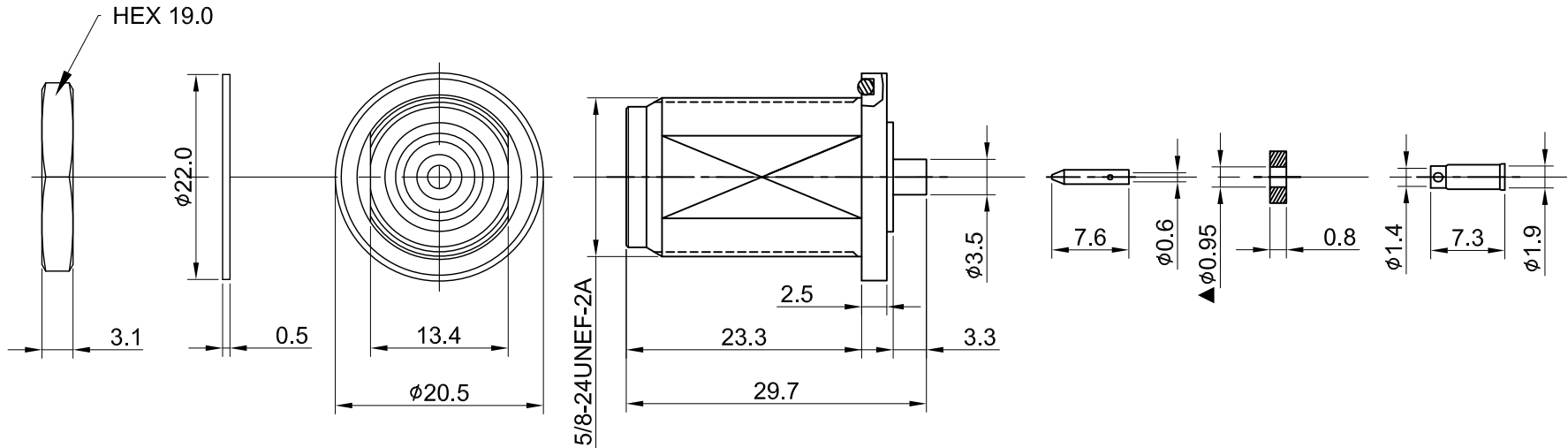
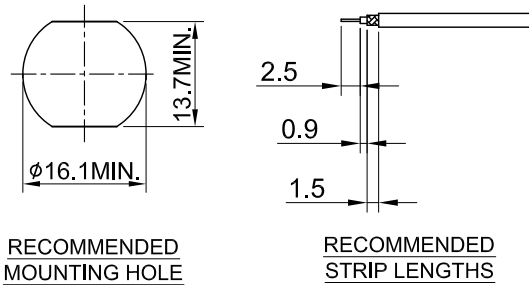


REV	DESCRIPTION	DATE
1.11	ADD COMPLETE MATERIAL NAME SILICON RUBBER W. SILICON	2020/11/19
1.20	ADD DIM $\phi 0.95$	2024/02/02



MECHANICAL DATA  
 DURABILITY : 100 CYCLES  
 TEMPERATURE RANGE : -65°C ~ + 165°C

ELECTRICAL DATA  
 FREQUENCY RANGE: DC~6GHz  
 IMPEDANCE : 50Ω  
 VSWR : 1.35 MAX.  
 WORKING VOLTAGE : AC 1000V  
 WITHSTANDING VOLTAGE : AC 2500V  
 INSULATION RESISTANCE : 5000 MΩ MIN

09	PIN	P.BRONZE	GOLD	1
08	WASHER	BRASS	NICKEL	1
07	GASKET	SILICONE RUBBER	BLACK	1
06	NUT	BRASS	NICKEL	1
05	SLEEVE	BRASS	NICKEL	1
04	INSULATOR B	TEFLON	NONE	1
03	CENTER PIN	BRASS	GOLD	1
02	INSULATOR A	TEFLON	NONE	1
01	BODY	BRASS	NICKEL	1
NO	DESCRIPTION	MATERIAL	FINISH	Q'TY

TITLE		N(F) bh. w/oring for RG178 (2.5T)	
DWG NO.		C28CE31178002F-1	
CUST. P/N: N/A		DWG NO: N/A	
SHEET 1 of 1		Unit: mm	
GENERAL TOLERANCES		DRAWN BY: Kelly 2024/02/02	
.X ±0.2		CHK'D BY: Eileen 2024/02/02	
.XX ±0.2		REV.	
.XXX ±0.2		DA2402020010	
ANGLES N/A		1.20	

