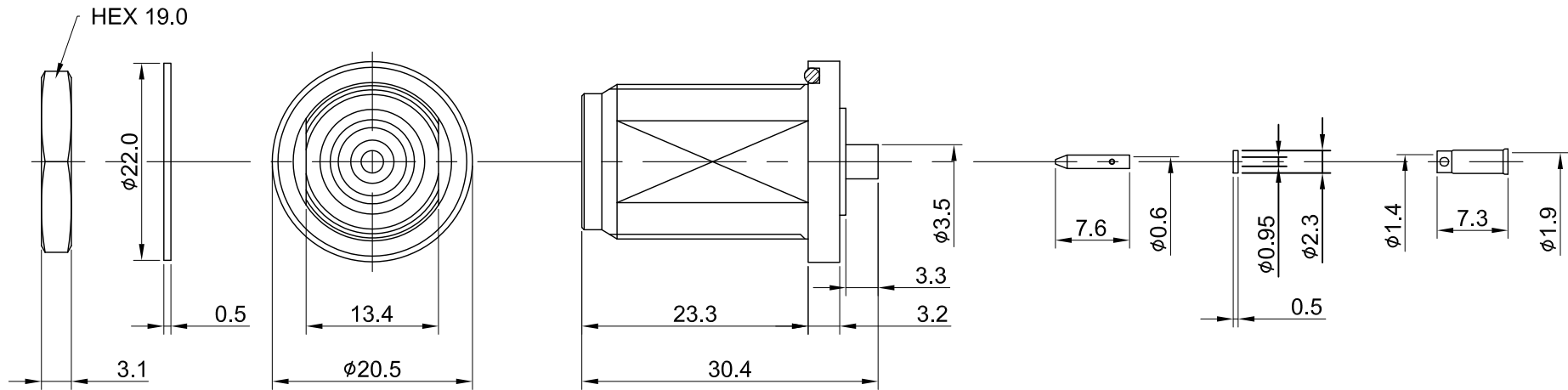
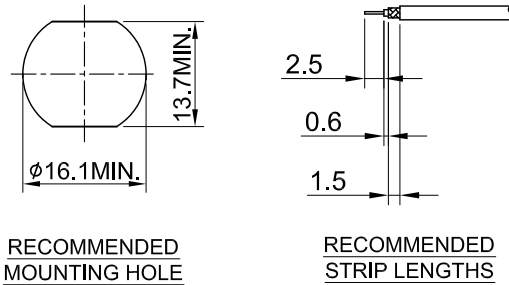


REV	DESCRIPTION	DATE
1.00	INITIAL DESIGN	2022/11/07
1.10	NEW DRAWING FRAME	2024/02/07



MECHANICAL DATA
 DURABILITY : 100 CYCLES
 TEMPERATURE RANGE : -65°C ~ + 165°C

ELECTRICAL DATA
 FREQUENCY RANGE: DC~10GHz
 IMPEDANCE : 50Ω
 VSWR : 1.35 MAX.
 WORKING VOLTAGE : AC 1000V
 WITHSTANDING VOLTAGE : AC 2500V
 INSULATION RESISTANCE : 5000 MΩ MIN

09	PIN	BRASS	GOLD	1
08	SLEEVE	BRASS	NICKEL	1
07	INSULATOR B	TEFLON	NONE	1
06	NUT	BRASS	NICKEL	1
05	WASHER	BRASS	NICKEL	1
04	GASKET	SILICONE RUBBER	BLACK	1
03	CENTER PIN	P.BRONZE	GOLD	1
02	INSULATOR A	TEFLON	NONE	1
01	BODY	BRASS	NICKEL	1
NO	DESCRIPTION	MATERIAL	FINISH	Q'TY

TITLE		N(F) bh. wOring for RG178, 10GHz	
DWG NO.		C28CE31178002F-4	
CUST. P/N:		N/A	
DWG NO:		N/A	
SHEET 1 of 1		Unit: mm	
GENERAL TOLERANCES		DRAWN BY: Kelly 2024/02/07	
.X ±0.2		CHK'D BY: Eileen 2024/02/07	
.XX ±0.2		REV. 1.10	
.XXX ±0.2		DA2402060009	
ANGLES N/A			

