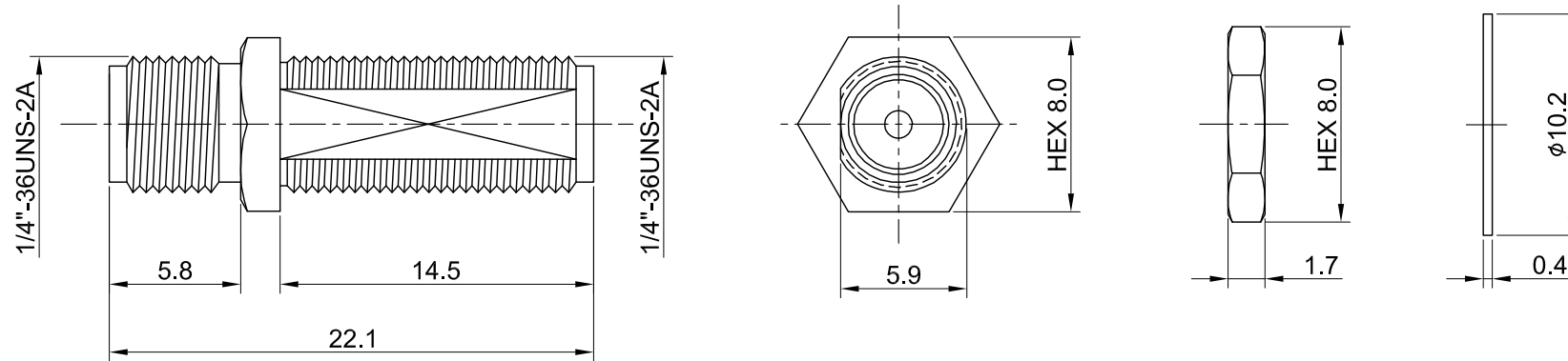



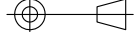
REV	DESCRIPTION	DATE
1.10	NEW DRAWING FRAME	2023/06/14
1.11	UPDATE INSULATION RESISTANCE UNIT	2023/10/11



MECHANICAL DATA
 DURABILITY : 500 CYCLES
 TEMPERATURE RANGE : -65°C ~ + 165°C

DIELECTRICAL DATA
 FREQUENCY RANGE: DC~10GHz
 IMPEDANCE : 50Ω
 VSWR : 1.2 MAX.
 WORKING VOLTAGE : AC 335V
 WITHSTANDING VOLTAGE : AC 1000V
 INSULATION RESISTANCE : 5000 MΩ MIN

05	NUT	BRASS	GOLD	
04	WASHER	BRASS	GOLD	
03	INSULATOR	TEFLON	NONE	
02	CONTACT	Be.Cu	GOLD	
01	BODY	BRASS	GOLD	
NO	DESCRIPTION	MATERIAL	FINISH	Q'TY

TITLE			
SMA(F) to SMA(F) bh, adaptor			
DWG NO. C0A00310202-09			
CUST. P/N: N/A DWG NO: N/A		GENERAL TOLERANCES	DRAWN BY: Kelly 2023/10/11
SHEET 1 of 1 Unit: mm		.X ±0.2 .XX ±0.2 .XXX ±0.2 ANGLES N/A	CHK'D BY: Chilli 2023/10/11
			REV. 1.11
		DA2310060022	