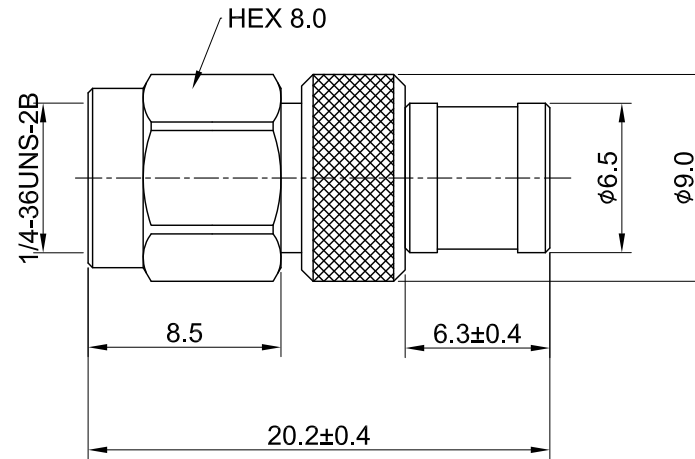


REV	DESCRIPTION	DATE
A	INITIAL DESIGN	2011/05/17
1.10	NEW DRAWING FRAME	2024/03/22



MECHANICAL DATA
 DURABILITY : 100 CYCLES
 TEMPERATURE RANGE : -65°C ~ + 165°C

ELECTRICAL DATA
 FREQUENCY RANGE: DC~4GHz
 IMPEDANCE : 50Ω
 VSWR : 1.3 MAX.
 WORKING VOLTAGE : AC 335V
 WITHSTANDING VOLTAGE : AC 750V
 INSULATION RESISTANCE : 1000 MΩ MIN

10	SHELL B	BRASS	GOLD	1
09	INNER RETAINING RING	Be.Cu	GOLD	1
08	BODY B	BRASS	GOLD	1
07	INSULATOR B	TEFLON	NONE	1
06	CENTER PIN	P.BRONZE	GOLD	1
05	INSULATOR A	TEFLON	NONE	1
04	BODY A	BRASS	GOLD	1
03	INNER RETAINING RING	STAINLESS	NONE	1
02	GAKSET	SILICONE RUBBER	RED	1
01	SHELL A	BRASS	GOLD	1
NO	DESCRIPTION	MATERIAL	FINISH	Q'TY

TITLE
SMA(M) st. to SMB(M) st. adaptor

DWG NO.
C0A003F0103-01

CUST.
P/N: N/A
DWG NO: N/A

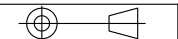
SHEET 1 of 1 Unit: mm



Wellshow

GENERAL
TOLERANCES
.X ±0.2
.XX ±0.2
.XXX ±0.2
ANGLES N/A

DRAWN BY: Kelly 2024/03/22
CHK'D BY: Una 2024/03/22



DA2403040015

REV.
1.10