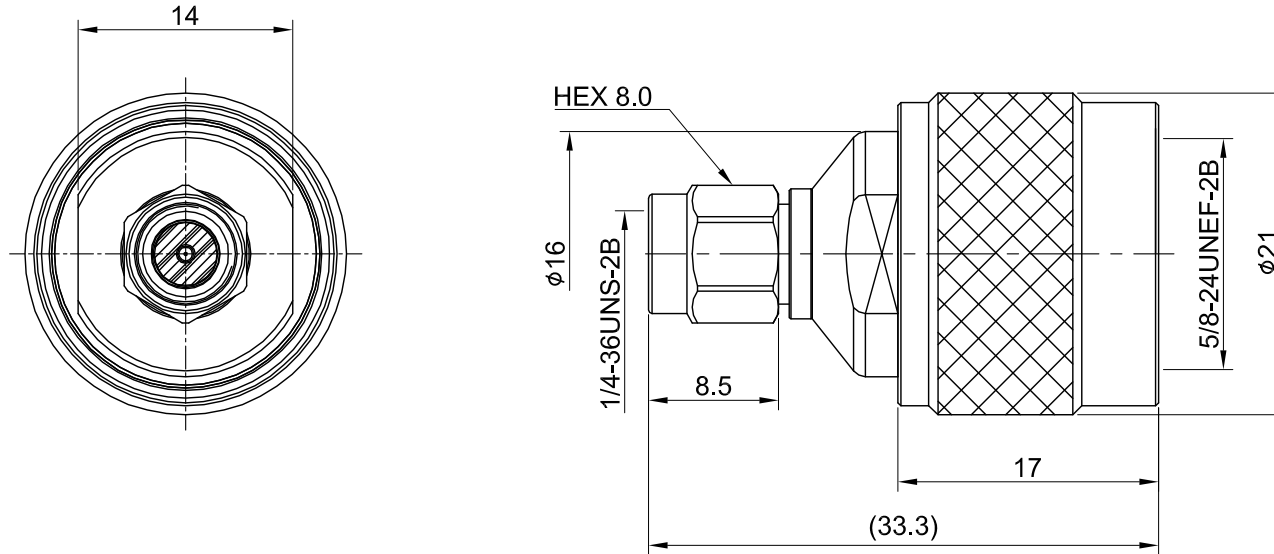
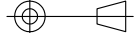


REV	DESCRIPTION	DATE
1.00	INITIAL DESIGN	2017/11/16
1.10	NEW DRAWING FRAME	2024/03/07



12	CENTER PIN	BRASS	GOLD	1
11	INNER RETAINING RING B	STAINLESS STEEL	NONE	1
10	GASKET B	SILICONE RUBBER	RED	1
09	SHELL	BRASS	NICKEL	1
08	INSULATOR B	TEFLON	NONE	1
07	BODY C	BRASS	NICKEL	1
06	BODY B	BRASS	NICKEL	1
05	INSULATOR A	TEFLON	NONE	1
04	INNER RETAINING RING A	BRASS	NONE	1
03	BODY A	BRASS	NICKEL	1
02	GASKET A	SILICONE RUBBER	RED	1
01	SHELL	BRASS	NICKEL	1
NO	DESCRIPTION	MATERIAL	FINISH	Q'TY

TITLE		SMA(M) to N(M) Adaptor Nickel Plating	
DWG NO.		C0A003F0127-01	
CUST. P/N: N/A		DRAWN BY: Kelly 2024/03/13	
DWG NO: N/A		CHK'D BY: Kana 2024/03/13	
SHEET 1 of 1		 REV. 1.10	
Unit: mm		GENERAL TOLERANCES .X ±0.2 .XX ±0.2 .XXX ±0.2 ANGLES N/A	
		DA2401190015	

MECHANICAL DATA  
TEMPERATURE RANGE : -65°C ~ + 165°C

ELECTRICAL DATA  
FREQUENCY RANGE: DC~6GHz  
IMPEDANCE : 50Ω  
VSWR : 1.3 MAX.  
WORKING VOLTAGE : AC 500V  
WITHSTANDING VOLTAGE : AC 1000V  
INSULATION RESISTANCE : 5000 MΩ MIN

