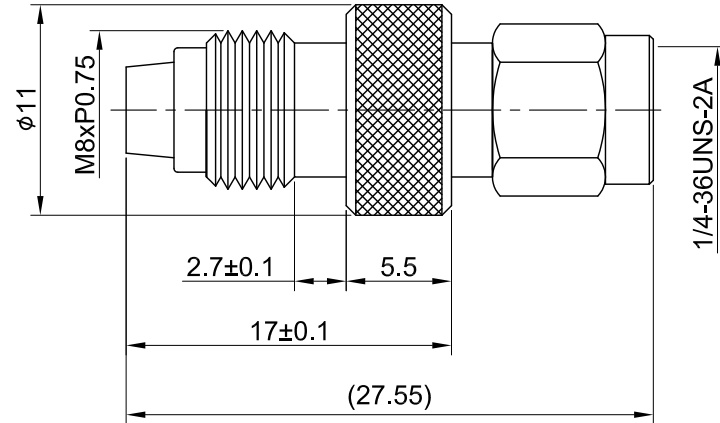



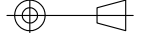
REV	DESCRIPTION	DATE
1.10	NEW RELEASE	2015/08/31
1.20	NEW DRAWING FRAME	2024/03/13



MECHANICAL DATA
 DURABILITY : 100 CYCLES
 TEMPERATURE RANGE : -40°C ~ + 85°C

ELECTRICAL DATA
 FREQUENCY RANGE: DC~2GHz
 IMPEDANCE : 50Ω
 VSWR : 1.3 MAX.
 WORKING VOLTAGE : AC 500V
 WITHSTANDING VOLTAGE : AC 1000V
 INSULATION RESISTANCE : 5000 MΩ MIN

03	CENTER PIN	BRASS	GOLD	1
02	INSULATOR	POM	NONE	1
01	BODY	BRASS	NICKEL	1
NO	DESCRIPTION	MATERIAL	FINISH	Q'TY

TITLE	
SMA(M) to FME(F) st. adaptor	
DWG NO. C0A003F0130-01	
CUST. P/N: N/A DWG NO: N/A	GENERAL TOLERANCES .X ±0.2 .XX ±0.2 .XXX ±0.2 ANGLES N/A
SHEET 1 of 1 Unit: mm	DRAWN BY: Kelly 2024/03/13 CHK'D BY: Kana 2024/03/13  REV. 1.20 DA2401190017