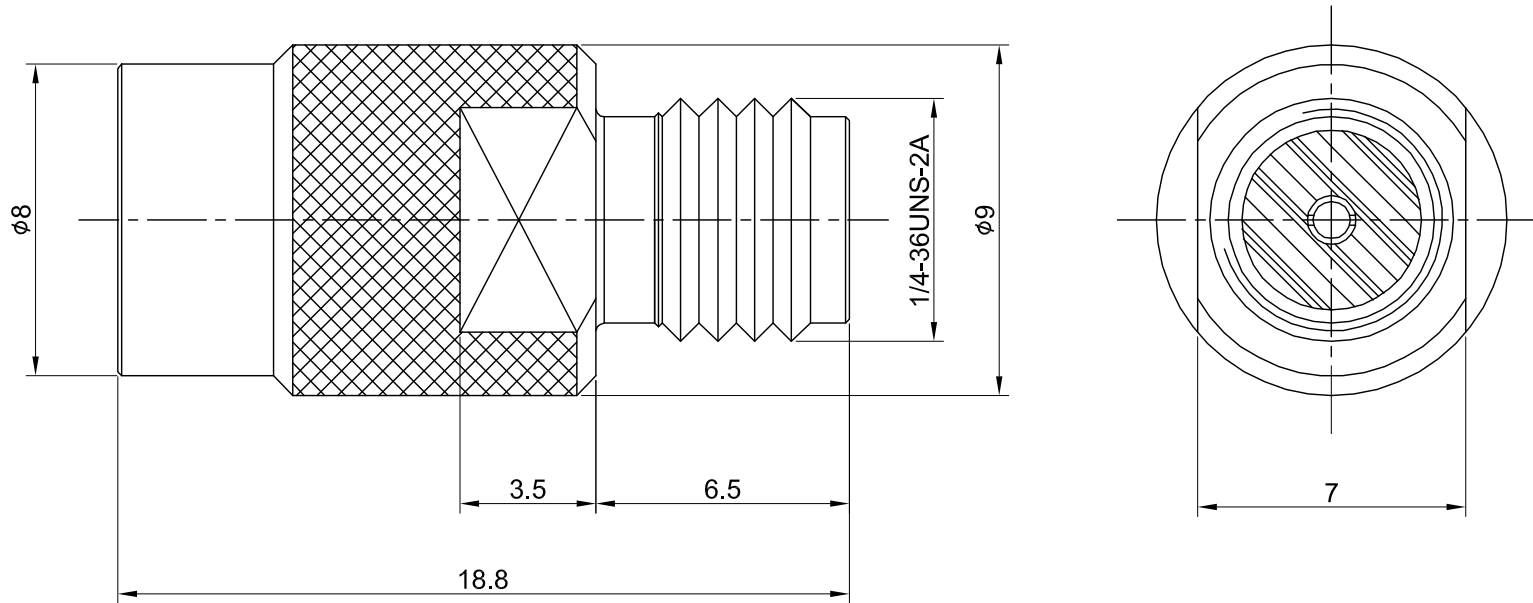


REV	DESCRIPTION	DATE
1.00	INITIAL DESIGN	2018/12/05
1.10	NEW DRAWING FRAME	2024/03/27
1.11	UPDATE DURABILITY	2024/11/11



MECHANICAL DATA  
 DURABILITY : 500 CYCLES (SMA FEMALE)  
 3000 CYCLES (SMA MALE)  
 TEMPERATURE RANGE : -65°C ~ + 165°C

ELECTRICAL DATA  
 FREQUENCY RANGE: DC~18GHz  
 IMPEDANCE : 50Ω  
 VSWR : 1.3 MAX.  
 WORKING VOLTAGE : AC 500V  
 WITHSTANDING VOLTAGE : AC 1000V  
 INSULATION RESISTANCE : 5000 MΩ MIN

TITLE  
 SMA(M) quick mating type to SMA(F) adaptor, 18GHz

05	SMA BODY	BRASS	GOLD	1
04	INSULATOR A	TEFLON	NONE	1
03	CENTER PIN	Be.Cu	GOLD	1
02	INSULATOR A	TEFLON	NONE	1
01	PRESS BODY	Be.Cu	GOLD	1
NO	DESCRIPTION	MATERIAL	FINISH	Q'TY

DWG NO.  
 C0A003F0102-04

CUST.  
 P/N: N/A  
 DWG NO: N/A

SHEET 1 of 1 Unit: mm

GENERAL TOLERANCES

.X	±0.2
.XX	±0.2
.XXX	±0.2
ANGLES	N/A

DRAWN BY: Kelly 2024/11/11

CHK'D BY: Mindy 2024/11/11

REV. 1.11

DA2411100001