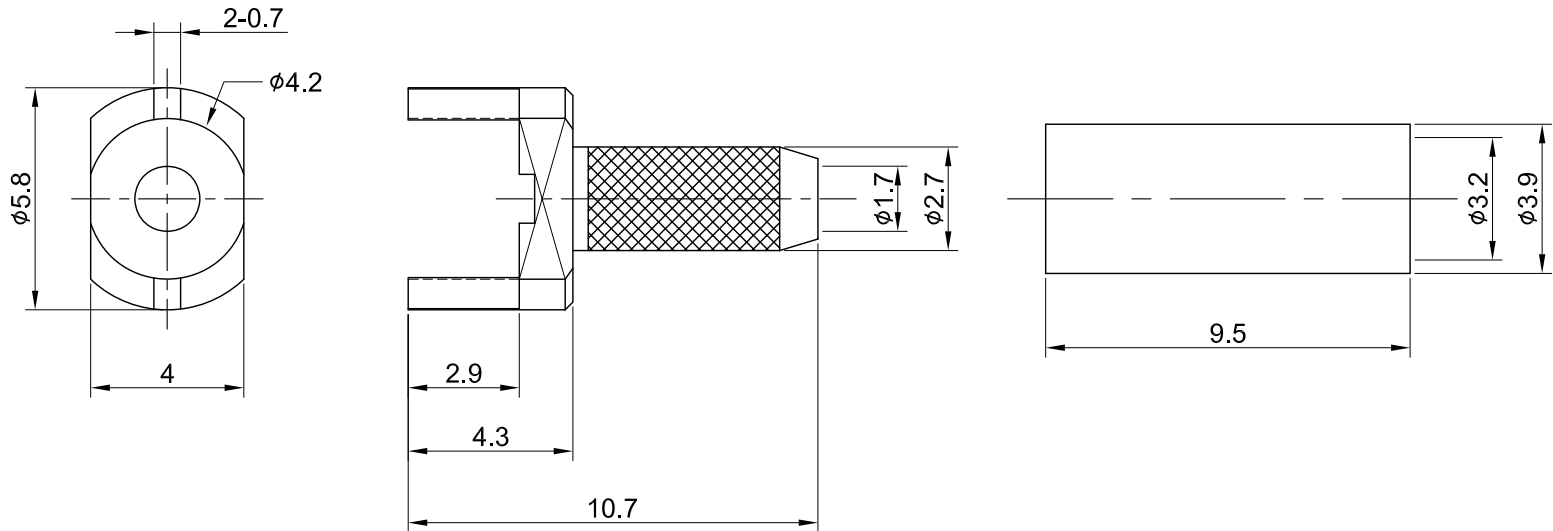
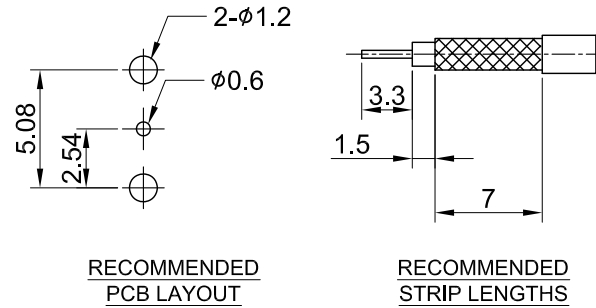



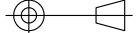
REV	DESCRIPTION	DATE
2.10	CHG 9.5 w. 7, ADD RECOMMENDED STRIPPING LENGTHS	2014/09/29
2.20	NEW DRAWING FRAME	2024/03/28



MECHANICAL DATA  
 TEMPERATURE RANGE : -65°C ~ + 165°C

ELECTRICAL DATA  
 FREQUENCY RANGE: DC~6GHz  
 IMPEDANCE : 50Ω  
 WORKING VOLTAGE : AC 500V  
 WITHSTANDING VOLTAGE : AC 1000V  
 INSULATION RESISTANCE : 5000 MΩ MIN

02	FERRULE	BRASS	GOLD	1
01	BODY	BRASS	GOLD	1
NO	DESCRIPTION	MATERIAL	FINISH	Q'TY

TITLE Terminator st. PCB(Gold) for RG316			
DWG NO. C99AA3F04			
CUST. P/N: N/A DWG NO: N/A		GENERAL TOLERANCES .X ±0.2 .XX ±0.2 .XXX ±0.2 ANGLES N/A	DRAWN BY: Kelly 2024/03/28 CHK'D BY: Maria 2024/03/28
SHEET 1 of 1	Unit: mm		REV. 2.20
		DA2403280007	