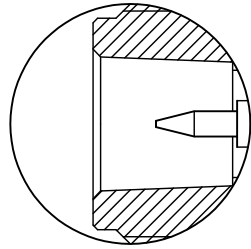
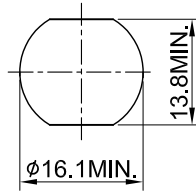


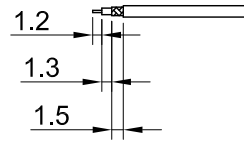
REV	DESCRIPTION	DATE
1.11	CORRECT FULL MATERIAL NAME SILICON RUBBER	2021/02/25
1.20	NEW DRAWING FRAME	2024/09/04



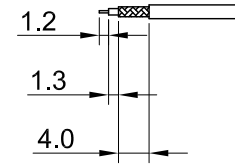
DETAIL A



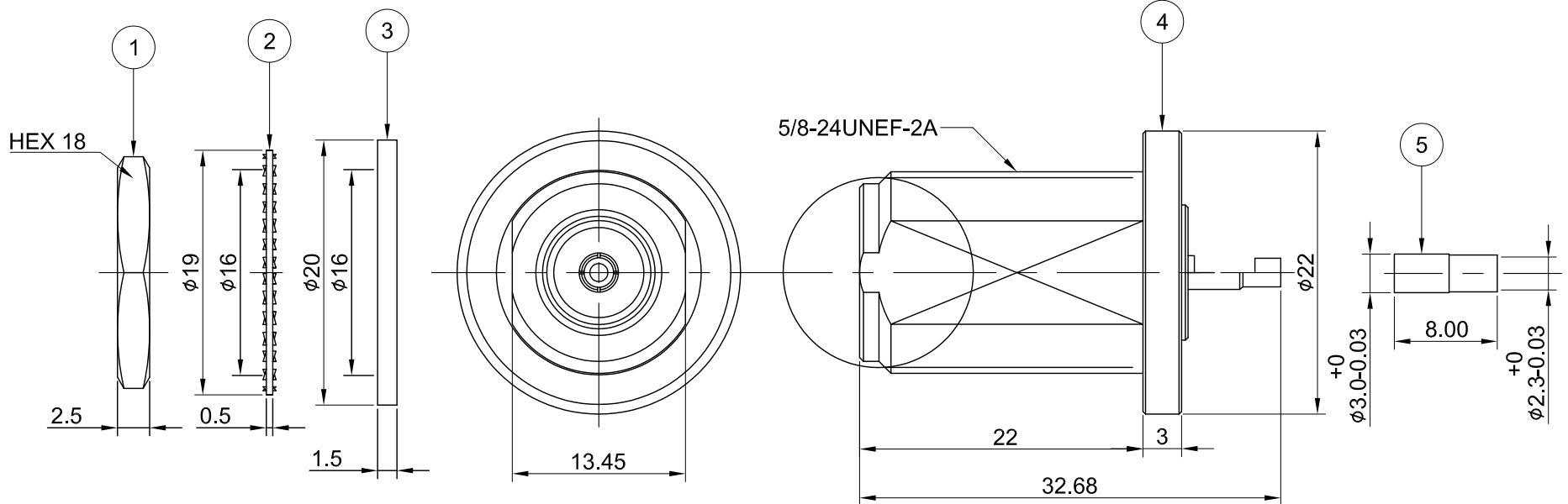
RECOMMENDED MOUNTING HOLE



0.81~1.48 CABLE RECOMMENDED STRIP LENGTHS



RG178 CABLE RECOMMENDED STRIP LENGTHS



MECHANICAL DATA
 DURABILITY : 100 CYCLES
 TEMPERATURE RANGE : -65°C ~ + 165°C

ELECTRICAL DATA
 FREQUENCY RANGE: DC~3GHZ
 IMPEDANCE : 50Ω
 VSWR : 1.5 MAX.
 WORKING VOLTAGE : AC 500V
 WITHSTANDING VOLTAGE : AC 1000V
 INSULATION RESISTANCE : 5000 MΩ MIN

05	FERRULE	BRASS	NICKEL	1
	PIN	P.BRONZE	GOLD	1
04	BARREL	BRASS	NICKEL	1
	INSULATOR B	TEFLON	NONE	1
	GASKET	SILICONE RUBBER	RED	1
	INSULATOR A	TEFLON	NONE	1
	BODY	BRASS	NICKEL	1
03	GASKET A	SILICONE RUBBER	RED	1
02	WASHER	STAINLESS STEEL	NICKEL	1
01	NUT	BRASS	NICKEL	1
NO	DESCRIPTION	MATERIAL	FINISH	Q'TY

TITLE
 RP N(F) bh. wOring for 0.81/1.13/1.32/1.37/1.48/RG178, 5psi

DWG NO.
 C70CEWS178002Z

CUST.
 P/N: N/A
 DWG NO: N/A

SHEET 1 of 1 Unit: mm

Wellshow

GENERAL TOLERANCES
 .X ±0.2
 .XX ±0.2
 .XXX ±0.2
 ANGLES N/A

DRAWN BY: Kelly 2024/09/04
 CHK'D BY: David 2024/09/04

REV. 1.20
 DA2409040011