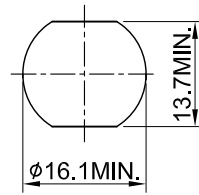
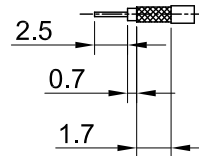


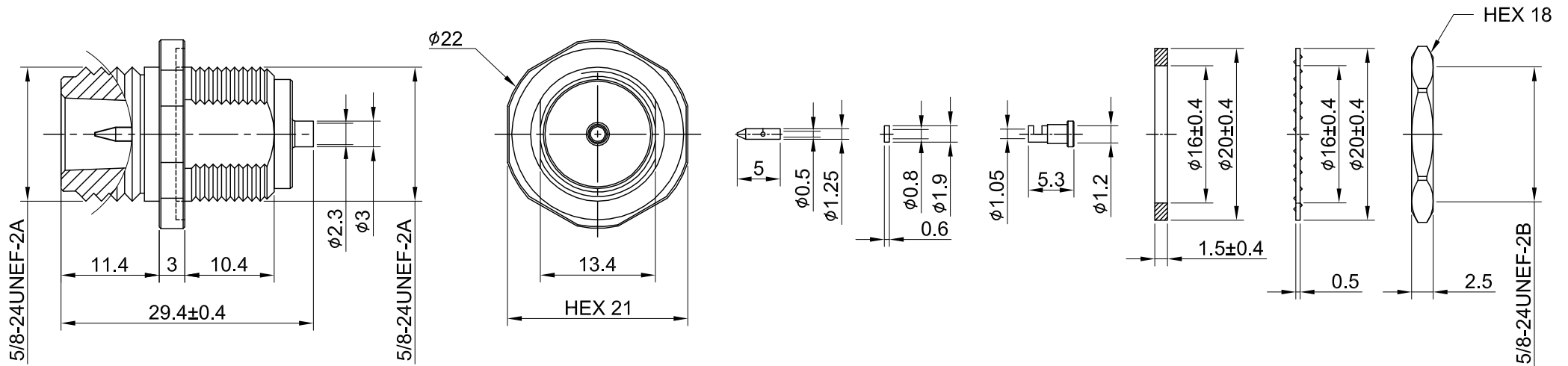
REV	DESCRIPTION	DATE
1.00	INITIAL DESIGN	2024/02/05
1.01	UPDATE PIN MATEIAL Be.Cu W. P.BRONZE	2024/04/09



RECOMMENDED MOUNTING HOLE



RECOMMENDED STRIP LENGTHS



11	FERRULE	BRASS	GOLD	1
10	INSULATOR GASKET	TEFLON	NONE	1
09	NUT	BRASS	NICKEL	1
08	WASHER	BRASS	NICKEL	1
07	GASKET	SILICONE RUBBER	RED	1
06	BULLET CONTACT	BRASS	GOLD	1
05	CABLE BODY	BRASS	NICKEL	1
04	CENTER CONTACT	Be.Cu	GOLD	1
03	CENTER PIN	BRASS	GOLD	1
02	INSULATOR	TEFLON	NONE	1
01	BODY	BRASS	GOLD	1
NO	DESCRIPTION	MATERIAL	FINISH	Q'TY

TITLE
RP N(F) bh. front mount, wOring, for 1.13/1.13LL, pin in pin

DWG NO.
C70CL3F113017C

CUST.
P/N: N/A
DWG NO: N/A

SHEET 1 of 1 Unit: mm

GENERAL TOLERANCES
.X ±0.2
.XX ±0.2
.XXX ±0.2
ANGLES N/A

DRAWN BY: Kelly 2024/04/09
CHK'D BY: Chili 2024/04/09

REV. 1.01
DA2404090008

MECHANICAL DATA
TEMPERATURE RANGE : -65°C ~ + 165°C

ELECTRICAL DATA
FREQUENCY RANGE: DC~6GHz
IMPEDANCE : 50Ω
VSWR : 1.5 MAX.
WORKING VOLTAGE : AC 1500V
WITHSTANDING VOLTAGE : AC 2500V
INSULATION RESISTANCE : 5000 MΩ MIN