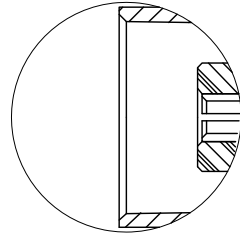
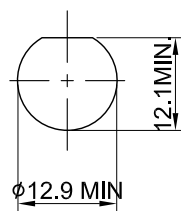


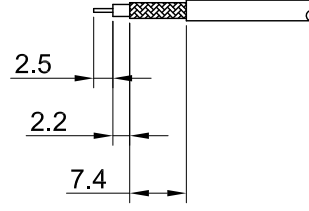
REV	DESCRIPTION	DATE
2.10	CHG WASHER BRASS W. STEEL	2023/05/30
2.11	CORRECT INSULATION RESISTANCE	2024/01/29



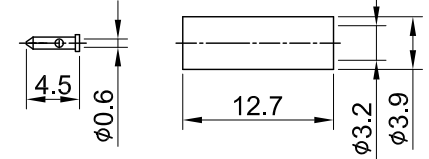
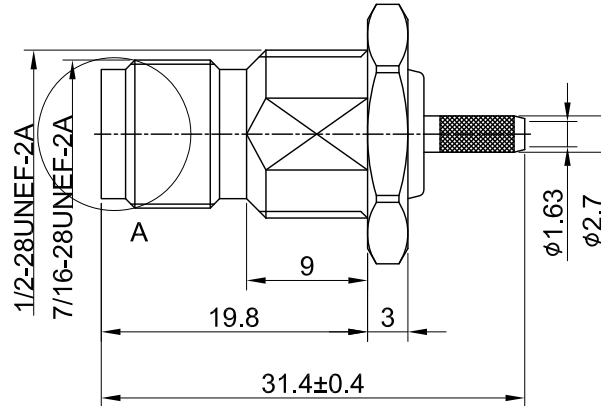
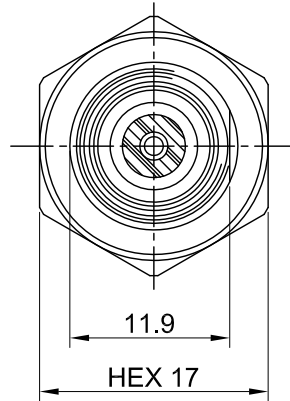
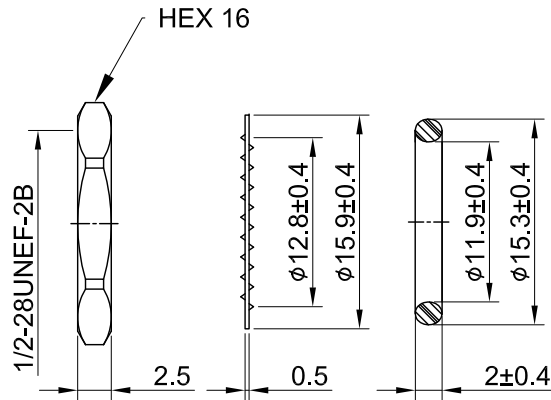
DETAIL A



RECOMMENDED MOUNTING HOLE



RECOMMENDED STRIP LENGTHS



MECHANICAL DATA  
 DURABILITY : 100 CYCLES  
 TEMPERATURE RANGE : -65°C ~ + 165°C

DIELECTRICAL DATA  
 FREQUENCY RANGE: DC~6GHz  
 IMPEDANCE : 50Ω  
 VSWR : 1.5 MAX.  
 WORKING VOLTAGE : AC 500V  
 WITHSTANDING VOLTAGE : AC 1500V  
 INSULATION RESISTANCE : 5000 MΩ MIN

09	NUT	BRASS	NICKEL	1
08	WASHER	BRASS	NICKEL	1
07	O RING	SILICONE RUBBER	BLACK	1
06	FERRULE	BRASS	NICKEL	1
05	BULLET CONTACT	BRASS	GOLD	1
04	CHASSIS	BRASS	NICKEL	1
03	INSULATOR	TEFLON	NONE	1
02	PIN	P.BRONZE	GOLD	1
01	BODY	BRASS	NICKEL	1
NO	DESCRIPTION	MATERIAL	FINISH	Q'TY

TITLE  
 TNC(F)st.bh.wOring,crimp for RG174(Pin in Pin)

DWG NO.  
 C18CD3F174003A

CUST.  
 P/N: N/A  
 DWG NO: N/A

SHEET 1 of 1 Unit: mm



GENERAL TOLERANCES		DRAWN BY:	
.X	±0.2	Lottie	2024/01/29
.XX	±0.2	CHK'D BY:	
.XXX	±0.2	Kana	2024/01/29
ANGLES	N/A		
		REV.	
		DA2401050007	2.11