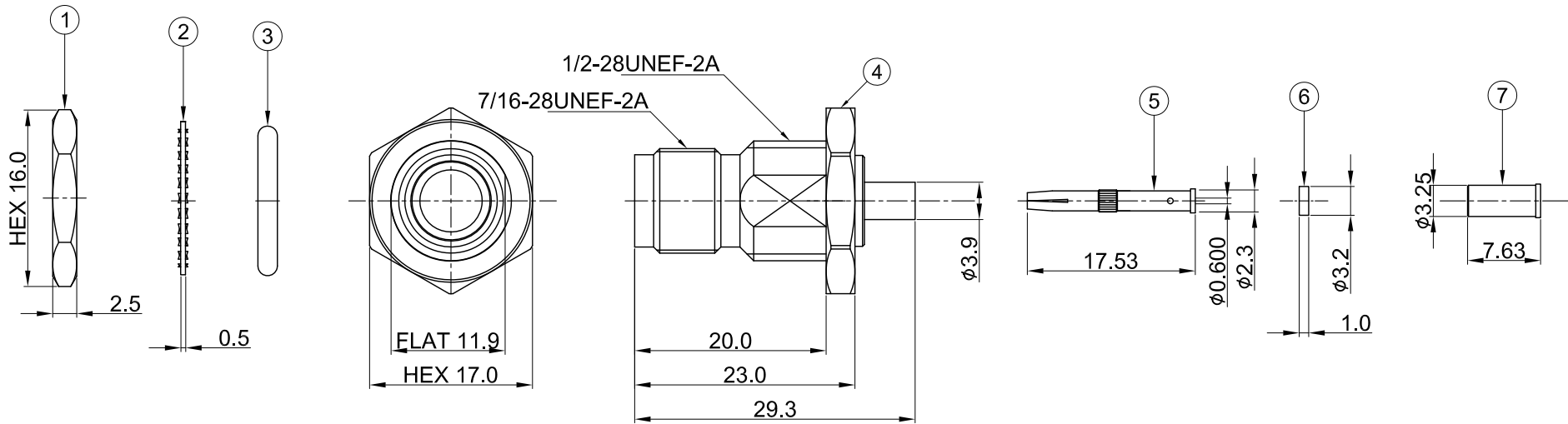
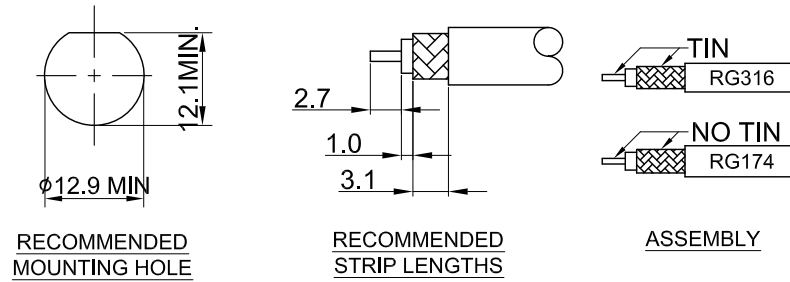


REV	DESCRIPTION	DATE
2.30	NEW DRAWING FRAME	2023/06/14
2.31	DON'T PUT ORING ON	2023/09/13



MECHANICAL DATA
 DURABILITY : 100 CYCLES
 TEMPERATURE RANGE : -65°C ~ + 165°C

DIELECTRICAL DATA
 FREQUENCY RANGE: DC~3GHZ
 IMPEDANCE : 50Ω
 VSWR : 1.5 MAX.
 WORKING VOLTAGE : AC 500V
 WITHSTANDING VOLTAGE : AC 1500V
 INSULATION RESISTANCE : 5000 mΩ MIN

07	BARREL	BRASS	NICKEL	1
06	INSULATOR	TEFLON	NONE	1
05	PIN	P.BRONZE	GOLD	1
04	BARREL	BRASS	NICKEL	1
	INSULATOR	TEFLON	NONE	1
	BODY	BRASS	NICKEL	1
03	GASKET	SILICONE RUBBER	BLACK	1
02	WASHER	STAINLESS STEEL	NICKEL	1
01	NUT	BRASS	NICKEL	1
NO	DESCRIPTION	MATERIAL	FINISH	Q'TY

TITLE		TNC(F) bulkhead w/Oring, crimp for RG174 cable									
DWG NO.		C18CDWS174003									
CUST. P/N: N/A		DRAWN BY: Kelly 2023/09/13									
DWG NO: N/A		CHK'D BY: Eileen 2023/09/13									
SHEET 1 of 1		Unit: mm									
GENERAL TOLERANCES		<table border="1"> <tr> <td>.X</td> <td>±0.2</td> </tr> <tr> <td>.XX</td> <td>±0.2</td> </tr> <tr> <td>.XXX</td> <td>±0.2</td> </tr> <tr> <td>ANGLES</td> <td>N/A</td> </tr> </table>		.X	±0.2	.XX	±0.2	.XXX	±0.2	ANGLES	N/A
.X	±0.2										
.XX	±0.2										
.XXX	±0.2										
ANGLES	N/A										
DA2309130007		REV. 2.31									

