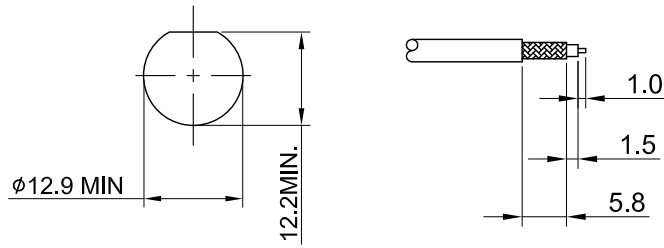
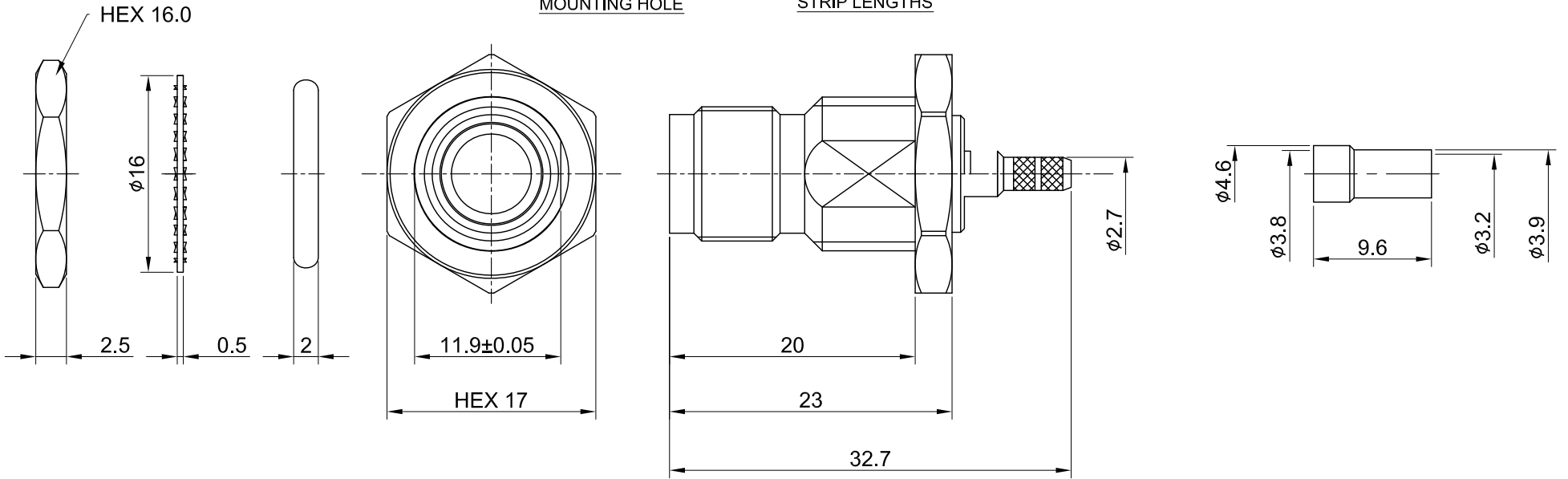


| REV | DESCRIPTION | DATE |
|------|--|------------|
| 3.20 | ADD ORING COLOR BLACK, CORRECT FULL MATERIAL NAME SILICON RUBBER | 2020/10/25 |
| 3.30 | NEW DRAWING FRAME | 2024/10/29 |



RECOMMENDED MOUNTING HOLE


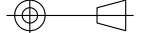
RECOMMENDED STRIP LENGTHS



MECHANICAL DATA
 DURABILITY : 100 CYCLES
 TEMPERATURE RANGE : -65°C ~ + 165°C

ELECTRICAL DATA
 FREQUENCY RANGE: DC~3GHz
 IMPEDANCE : 50Ω
 VSWR : 1.5 MAX.
 WORKING VOLTAGE : AC 500V
 WITHSTANDING VOLTAGE : AC 1000V
 INSULATION RESISTANCE : 5000 MΩ MIN

| | | | | |
|----|-------------|-----------------|--------|------|
| 10 | NUT | BRASS | NICKEL | 1 |
| 09 | WASHER | STAINLESS STEEL | NICKEL | 1 |
| 08 | O RING | SILICONE RUBBER | BLACK | 1 |
| 07 | FERRULE | BRASS | NICKEL | 1 |
| 06 | BARREL | BRASS | NICKEL | 1 |
| 05 | GASKET | SILICONE RUBBER | NONE | 1 |
| 04 | CENTER PIN | P.BRONZE | GOLD | 1 |
| 03 | INSULATOR B | TEFLON | NONE | 1 |
| 02 | INSULATOR A | TEFLON | NONE | 1 |
| 01 | BODY | BRASS | NICKEL | 1 |
| NO | DESCRIPTION | MATERIAL | FINISH | Q'TY |

| | | | |
|--|----------|---|--|
| TITLE TNC(F) bh. wOring crimp for RG174(5psi) | |  | |
| DWG NO. C18CDWS174003V | | | |
| CUST. P/N: N/A DWG NO: N/A | | GENERAL TOLERANCES .X ±0.2 .XX ±0.2 .XXX ±0.2 ANGLES N/A | DRAWN BY: Kelly 2024/10/29 CHK'D BY: Chili 2024/10/29 |
| SHEET 1 of 1 | Unit: mm |  | REV. 3.30 |
| | | DA2410290009 | |