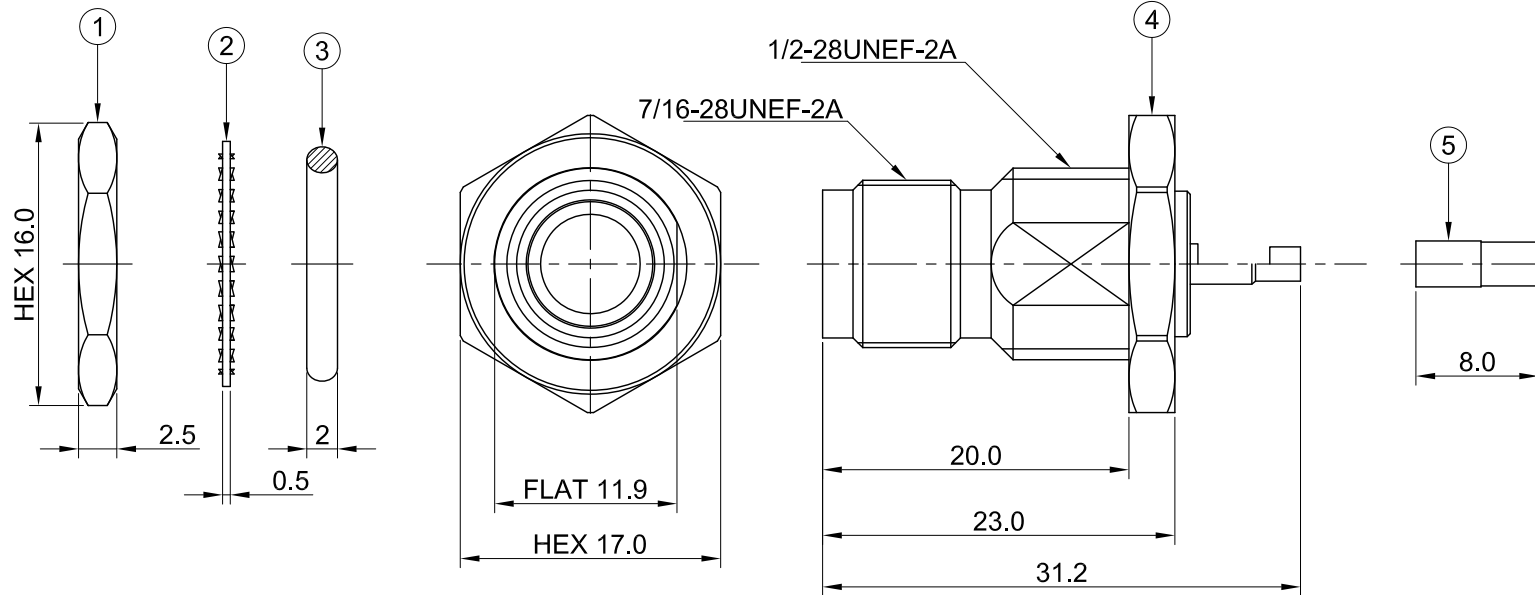
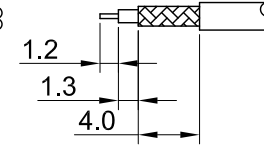
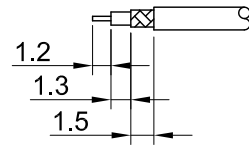
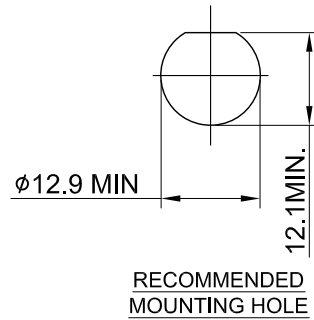


| REV | DESCRIPTION | DATE |
|------|---------------------------------------|------------|
| 2.10 | CORRECT FULL MATERIAL NEME AND COLOUR | 2020/11/24 |
| 2.20 | NEW DRAWING FRAME | 2023/11/21 |



MECHANICAL DATA
 DURABILITY : 100 CYCLES
 TEMPERATURE RANGE : -65°C ~ + 165°C

ELECTRICAL DATA
 FREQUENCY RANGE: DC~3GHZ
 IMPEDANCE : 50Ω
 VSWR : 1.5 MAX.
 WORKING VOLTAGE : AC 500V
 WITHSTANDING VOLTAGE : AC 1000V
 INSULATION RESISTANCE : 5000 MΩ MIN

| | | | | | | |
|----|-------------|-----------------|--------|------|--|----------|
| 05 | FERRULE | BRASS | NICKEL | 1 | TITLE TNC(F) bh. w/Oring FOR 0.81 ~ RG178 | |
| 04 | CENTER PIN | P.BRONZE | GOLD | 1 | | |
| 04 | BARREL | BRASS | NICKEL | 1 | DWG NO. C18CDWS178003C | |
| 04 | INSULATOR | TEFLON | NONE | 1 | | |
| 04 | BODY | BRASS | NICKEL | 1 | CUST. P/N: N/A DWG NO: N/A | |
| 03 | GASKET | SILICONE RUBBER | BLACK | 1 | | |
| 02 | WASHER | STAINLESS STEEL | NICKEL | 1 | GENERAL TOLERANCES .X ±0.2 .XX ±0.2 .XXX ±0.2 ANGLES N/A | |
| 01 | NUT | BRASS | NICKEL | 1 | | |
| NO | DESCRIPTION | MATERIAL | FINISH | Q'TY | SHEET 1 of 1 | Unit: mm |
| | | | | | DRAWN BY: Kelly 2023/12/04 CHK'D BY: Chilli 2023/12/04 REV. 2.20 DA2312040021 | |