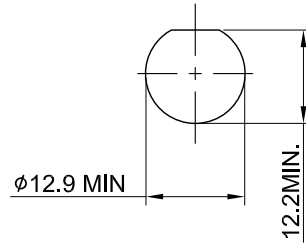
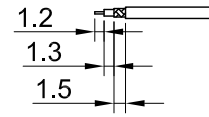


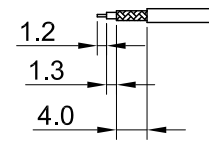
REV	DESCRIPTION	DATE
1.10	ADD ORING COLOR BLACK, CORRECTED FULL MATERIAL NAME SILICON RUBBER REMOVE RECOMMENDED MOUNTING HOLE TOLERANCE AND ITEM	2020/12/03
1.20	NEW DRAWING FRAME	2024/11/01



RECOMMENDED MOUNTING HOLE

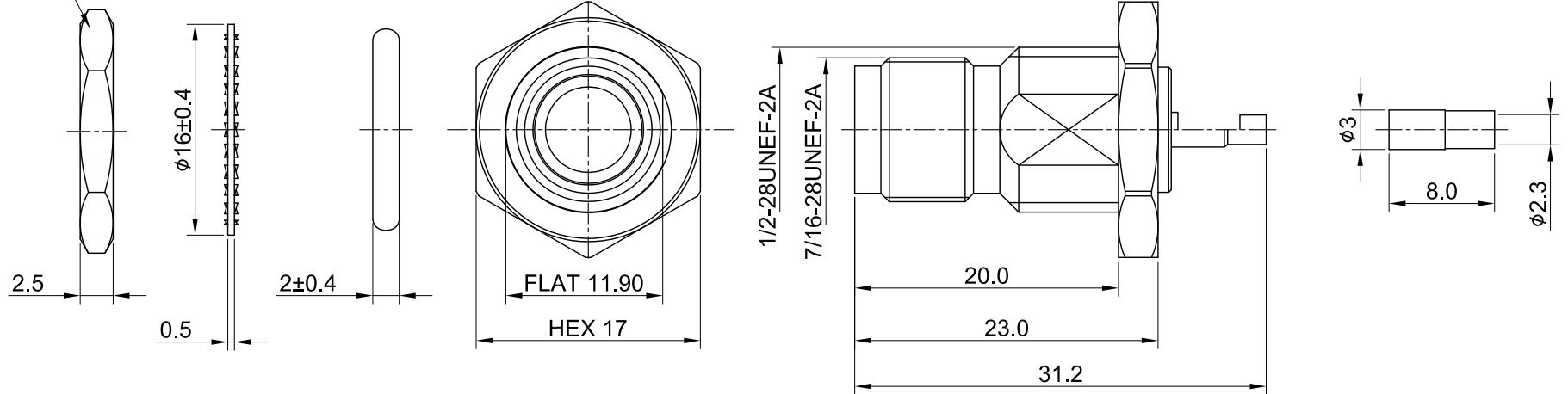


0.81~1.48 CABLE RECOMMENDED STRIP LENGTHS



RG178 CABLE RECOMMENDED STRIP LENGTHS

HEX 16.0



MECHANICAL DATA  
 DURABILITY : 100 CYCLES  
 TEMPERATURE RANGE : -65°C ~ + 165°C

ELECTRICAL DATA  
 FREQUENCY RANGE: DC~3GHZ  
 IMPEDANCE : 50Ω  
 VSWR : 1.5 MAX.  
 WORKING VOLTAGE : AC 500V  
 WITHSTANDING VOLTAGE : AC 1000V  
 INSULATION RESISTANCE : 5000 MΩ MIN

10	FERRULE	BRASS	NICKEL	1
09	BARREL	BRASS	NICKEL	1
08	CENTER PIN	P.BRONZE	GOLD	1
07	GASKET B	SILICONE RUBBER	NONE	1
06	INSULATOR B	TEFLON	NONE	1
05	INSULATOR A	TEFLON	NONE	1
04	BODY	BRASS	NICKEL	1
03	GASKET A	SILICONE RUBBER	BLACK	1
02	WASHER	STAINLESS STEEL	NICKEL	1
01	NUT	BRASS	NICKEL	1
NO	DESCRIPTION	MATERIAL	FINISH	Q'TY

TITLE  
 TNC(F)bh.w/oring (D-flat11.9)solder for0.81~RG178(5psi)

DWG NO.  
 C18CDWS178003S-1

CUST.  
 P/N: N/A  
 DWG NO: N/A

SHEET 1 of 1 Unit: mm



GENERAL TOLERANCES		DRAWN BY: Kelly 2024/11/01	
.X	±0.2		CHK'D BY: Chili 2024/11/01 REV. 1.20
.XX	±0.2		
.XXX	±0.2		
ANGLES	N/A	DA2410290013	