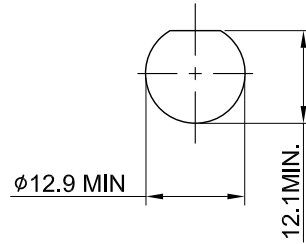
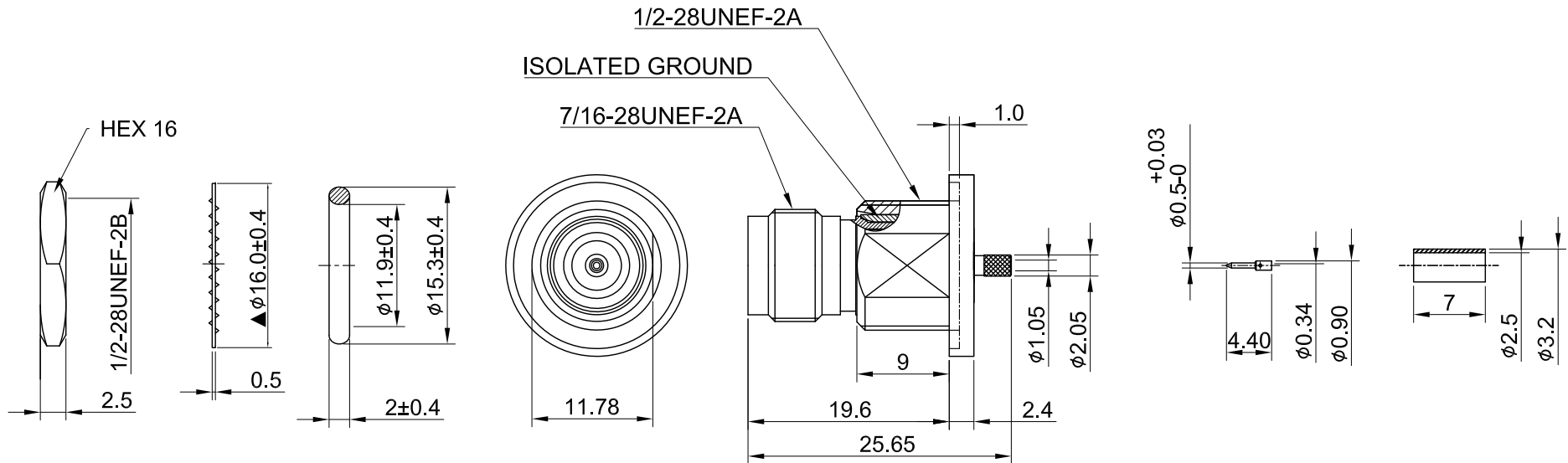


REV	DESCRIPTION	DATE
2.20	UPDATE DRAWING	2020/11/10
2.30	ADD ORING TOLERANCES	2024/02/27
2.40	ADD DIM 9/ 2.4, CORRECT 1.0 W. 1.6	2024/06/28
2.50	ADD DATA, CHG $\phi 16.0 \pm 4$ W. $\phi 16.0 \pm 2$	2024/11/15



RECOMMENDED MOUNTING HOLE



MECHANICAL DATA  
 DURABILITY : 100 CYCLES  
 TEMPERATURE RANGE : -65°C ~ + 165°C

ELECTRICAL DATA  
 FREQUENCY RANGE: DC~6GHz  
 IMPEDANCE : 50Ω  
 VSWR : 1.8 MAX.  
 WORKING VOLTAGE : AC 500V  
 WITHSTANDING VOLTAGE : AC 1000V  
 INSULATION RESISTANCE : 5000 MΩ MIN

10	FERRULE	BRASS	NICKEL	1
09	CENTER PIN	BRASS	GOLD	1
08	BODY B	BRASS	NICKEL	1
07	INSULATOR B	TEFLON	NONE	1
06	PIN	P.BRONZE	GOLD	1
05	INSULATOR A	TEFLON	NONE	1
04	BODY A	BRASS	NICKEL	1
03	GASKET	SILICONE RUBBER	BLACK	1
02	WASHER	STAINLESS STEEL	NICKEL	1
01	NUT	BRASS	NICKEL	1
NO	DESCRIPTION	MATERIAL	FINISH	Q'TY

TITLE		Customized isolated TNC(F) bh. wOring for RG178	
DWG NO.		C18CDWSRFCD089004	
CUST. P/N:		N/A	
DWG NO:		N/A	
SHEET 1 of 1		Unit: mm	
GENERAL TOLERANCES		DRAWN BY: Kelly 2024/11/15	
.X ±0.2		CHK'D BY: Chili 2024/11/15	
.XX ±0.2		REV.	
.XXX ±0.2		DA2410300028	
ANGLES N/A		2.50	

