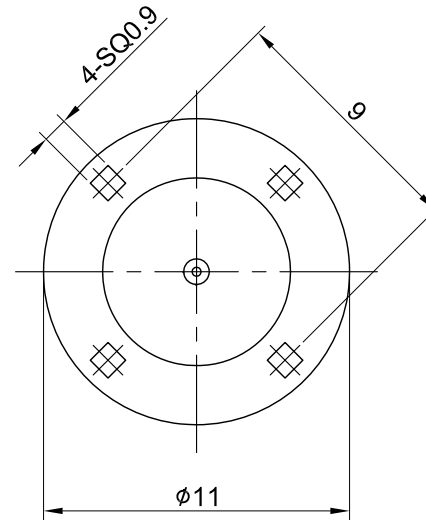
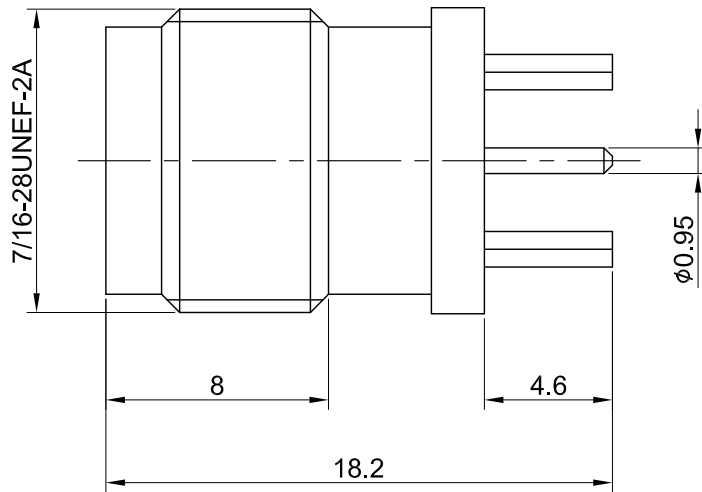
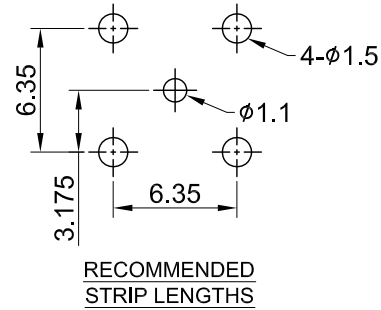


REV	DESCRIPTION	DATE
1.00	INITIAL DESIGN	2014/06/27
1.10	CHG $\phi 1.1$ W. $\phi 1.2$	2024/05/07
1.11	REMOVE DURABILITY	2024/12/30



MECHANICAL DATA
TEMPERATURE RANGE : -65°C ~ + 165°C

ELECTRICAL DATA
FREQUENCY RANGE: DC~6GHz
IMPEDANCE : 50Ω
VSWR : 1.3 MAX.
WORKING VOLTAGE : AC 500V
WITHSTANDING VOLTAGE : AC 1500V
INSULATION RESISTANCE : 5000 MΩ MIN

04	PRESS WASHER	BRASS	NICKEL	1
03	CENTER PIN	BRASS	GOLD	1
02	INSULATOR	TEFLON	NONE	1
01	BODY	BRASS	NICKEL	1
NO	DESCRIPTION	MATERIAL	FINISH	Q'TY

TITLE		DRAWN BY: Kelly		2024/12/30
TNC(F)st.for PCB, leg length 4.6mm		CHK'D BY: Chilli		2024/12/30
DWG NO. C18CN3F14		REVISIONS		REV.
CUST. P/N: N/A		DA2412300008		1.11
DWG NO: N/A		Unit: mm		
SHEET 1 of 1		GENERAL TOLERANCES		
		.X ±0.2		
		.XX ±0.2		
		.XXX ±0.2		
		ANGLES N/A		

