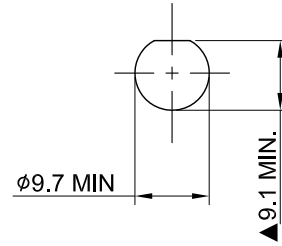
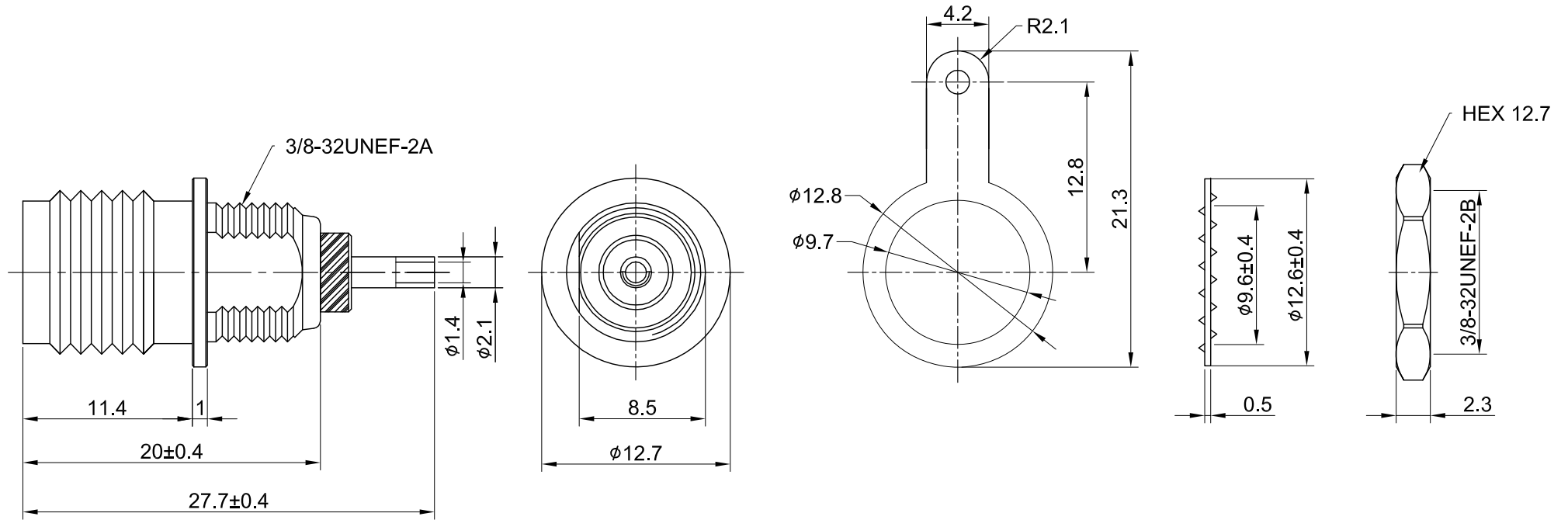


REV	DESCRIPTION	DATE
2.00	UPDATE INNER DESIGN	2019/04/29
2.10	CHG $\phi 9.0$ MIN W. $\phi 9.1$ MIN	2024/05/07



RECOMMENDED MOUNTING HOLE



MECHANICAL DATA
 DURABILITY : 100 CYCLES
 TEMPERATURE RANGE : -65°C ~ + 165°C

ELECTRICAL DATA
 FREQUENCY RANGE: DC~6GHz
 IMPEDANCE : 50Ω
 VSWR : 1.3 MAX.
 WORKING VOLTAGE : AC 500V
 WITHSTANDING VOLTAGE : AC 1500V
 INSULATION RESISTANCE : 5000 MΩ MIN

06	NUT	BRASS	NICKEL	1
05	LOCK WASHER	STEEL	NICKEL	1
04	WASHER	BRASS	NICKEL	1
03	CENTER PIN	P.BRONZE	GOLD	1
02	INSULATOR	TEFLON	NONE	1
01	BODY	BRASS	NICKEL	1
NO	DESCRIPTION	MATERIAL	FINISH	Q'TY

TITLE
 TNC(F)st. bh. front mount metal thread, solder cup, with ground tab

DWG NO.
 C18CR3F25

CUST.
 P/N: N/A
 DWG NO: N/A

SHEET 1 of 1 Unit: mm



Wellshow

GENERAL TOLERANCES		DRAWN BY: Kelly 2024/05/07	
.X	±0.2	CHK'D BY: Kana	2024/05/07
.XX	±0.2		
.XXX	±0.2		
ANGLES	N/A		
		REV.	2.10
		DA2405070017	