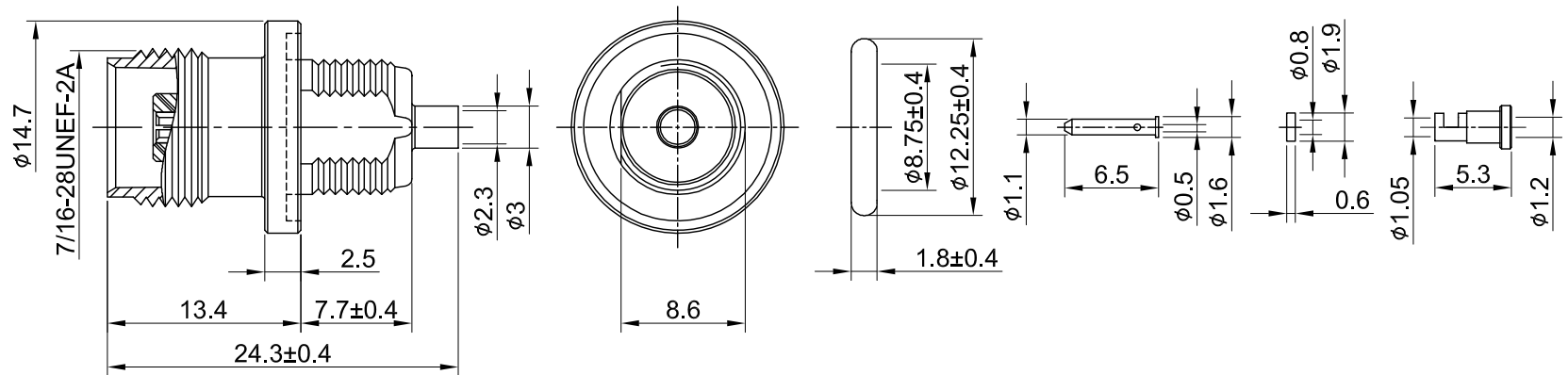
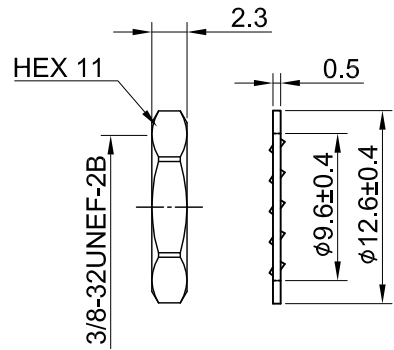
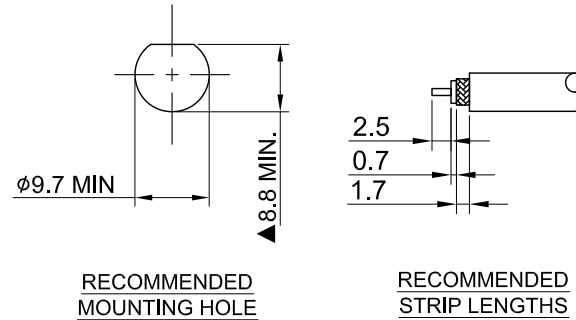



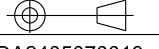
REV	DESCRIPTION	DATE
1.00	INITIAL DESIGN	2023/06/20
1.10	CORRECT INSULATION RESISTANCE UNIT, CHG $\phi 8.8$ MIN W. $\phi 9$ MIN	2024/05/07



MECHANICAL DATA  
 DURABILITY : 500 CYCLES  
 TEMPERATURE RANGE : -65°C ~ + 165°C

ELECTRICAL DATA  
 FREQUENCY RANGE: DC~6GHz  
 IMPEDANCE : 50Ω  
 VSWR : 1.5 MAX.  
 WORKING VOLTAGE : AC 500V  
 WITHSTANDING VOLTAGE : AC 1500V  
 INSULATION RESISTANCE : 5000 MΩ MIN

12	O RING	SILICONE RUBBER	BLACK	1
11	NUT	BRASS	NICKEL	1
10	LOCK WASHER	STEEL	NICKEL	1
09	FERRULE	BRASS	GOLD	1
08	INSULATOR GASKET	TEFLON	NONE	1
07	BULLET CONTACT	BRASS	GOLD	1
06	CABLE BODY	BRASS	NICKEL	1
05	CENTER CONTACT	Be.Cu	GOLD	1
04	INSULATOR B	TEFLON	NONE	1
03	CENTER PIN	P.BRONZE	GOLD	1
02	INSULATOR A	TEFLON	NONE	1
01	BODY	BRASS	NICKEL	1
NO	DESCRIPTION	MATERIAL	FINISH	Q'TY

TITLE		TNC(F) st. bh.(3/8"-32UNEF) front mount w/Oring for 1.13/1.13LL	
DWG NO.		C18CU3F113023-1	
CUST. P/N: N/A		DRAWN BY: Kelly 2024/05/07	
DWG NO: N/A		CHK'D BY: Kana 2024/05/07	
SHEET 1 of 1			
Unit: mm			
		GENERAL TOLERANCES .X ±0.2 .XX ±0.2 .XXX ±0.2 ANGLES N/A	
		DA2405070018 REV. 1.10	