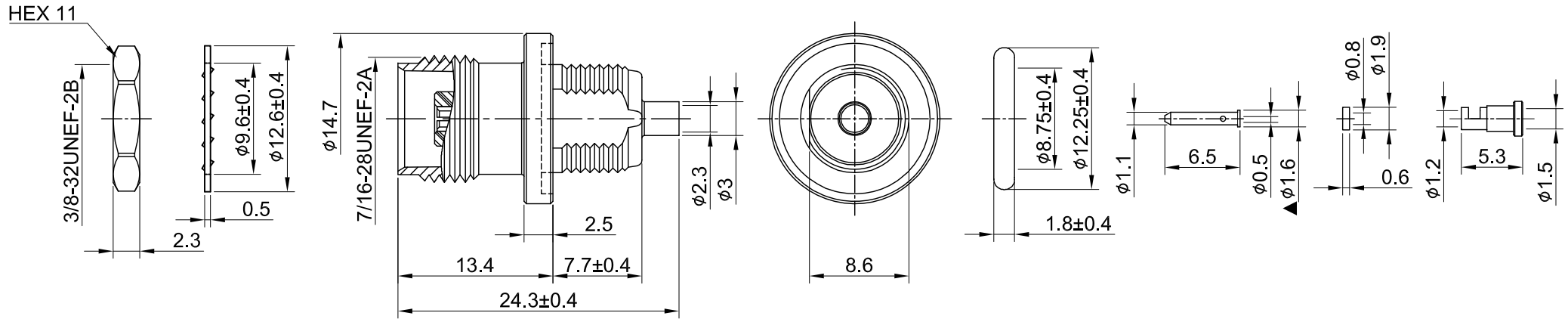
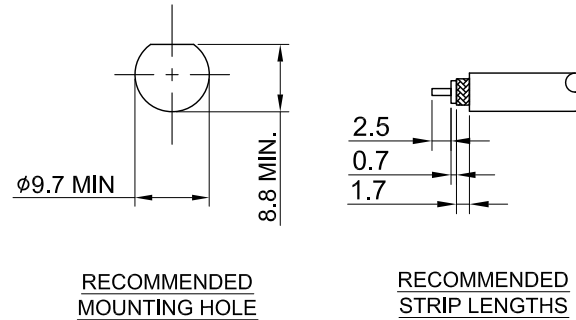


REV	DESCRIPTION	DATE
1.00	INITIAL DESIGN	2020/12/11
1.10	CHG $\phi 1.6$ W. $\phi 1.45$	2024/12/25



MECHANICAL DATA
 DURABILITY : 500 CYCLES
 TEMPERATURE RANGE : -65°C ~ + 165°C

ELECTRICAL DATA
 FREQUENCY RANGE: DC~6GHz
 IMPEDANCE : 50Ω
 VSWR : 1.5 MAX.
 WORKING VOLTAGE : AC 500V
 WITHSTANDING VOLTAGE : AC 1500V
 INSULATION RESISTANCE : 5000 MΩ MIN

12	O RING	SILICONE RUBBER	BLACK	1
11	NUT	BRASS	NICKEL	1
10	LOCK WASHER	STEEL	NICKEL	1
09	FERRULE	BRASS	GOLD	1
08	INSULATOR GASKET	TEFLON	NONE	1
07	BULLET CONTACT	BRASS	GOLD	1
06	CABLE BODY	BRASS	NICKEL	1
05	CENTER CONTACT	Be.Cu	GOLD	1
04	INSULATOR B	TEFLON	NONE	1
03	CENTER PIN	P.BRONZE	GOLD	1
02	INSULATOR A	TEFLON	NONE	1
01	BODY	BRASS	NICKEL	1
NO	DESCRIPTION	MATERIAL	FINISH	Q'TY

TITLE
 TNC(F) st. bh.(3/8"-32UNEF) front mount w/Oring for 1.32/1.32DS

DWG NO.
 C18CU3F132023-1

CUST.
 P/N: N/A
 DWG NO: N/A

SHEET 1 of 1 Unit: mm



GENERAL TOLERANCES	DRAWN BY: Kelly	2024/12/25
.X ±0.2	CHK'D BY: Chili	2024/12/25
.XX ±0.2		
.XXX ±0.2		
ANGLES N/A		
	REV.	1.10
	DA2412250012	