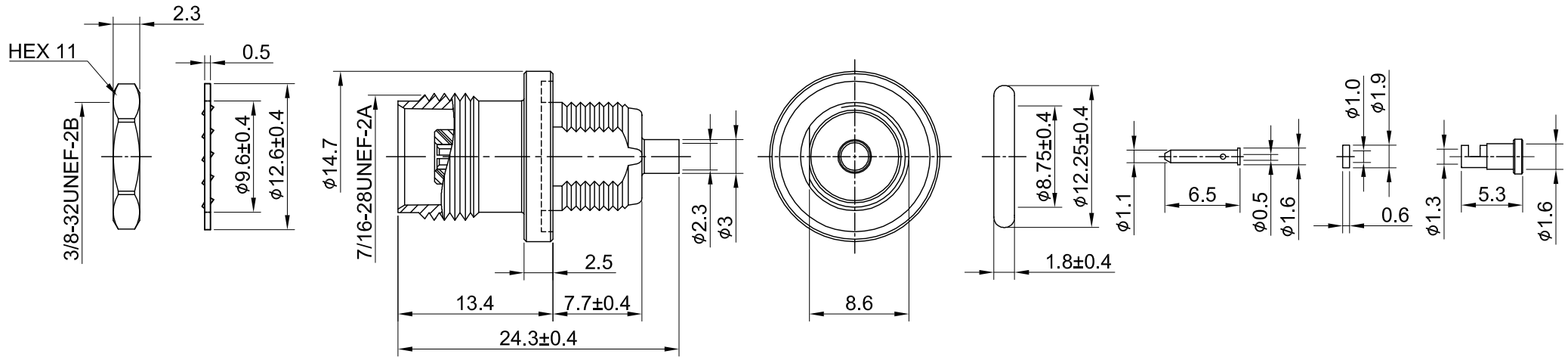
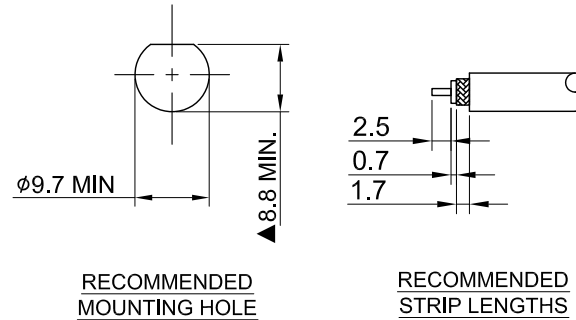


REV	DESCRIPTION	DATE
1.30	CHG $\phi 1.6$ W. $\phi 1.45$	2022/03/21
1.40	CHG $\phi 8.8$ MIN W. $\phi 9$ MIN	2024/05/07



12	O RING	SILICONE RUBBER	BLACK	1
11	NUT	BRASS	NICKEL	1
10	LOCK WASHER	STEEL	NICKEL	1
09	FERRULE	BRASS	GOLD	1
08	INSULATOR GASKET	TEFLON	NONE	1
07	BULLET CONTACT	BRASS	GOLD	1
06	CABLE BODY	BRASS	NICKEL	1
05	CENTER CONTACT	Be.Cu	GOLD	1
04	INSULATOR B	TEFLON	NONE	1
03	CENTER PIN	P.BRONZE	GOLD	1
02	INSULATOR A	TEFLON	NONE	1
01	BODY	BRASS	NICKEL	1
NO	DESCRIPTION	MATERIAL	FINISH	Q'TY

TITLE		DRAWN BY: Kelly		2024/05/07
TNC(F) st. bh.(3/8"-32UNEF) front mount wOring for 1.37		CHK'D BY: Kana		2024/05/07
DWG NO. C18CU3F137023-1		REV.		1.40
CUST. P/N: N/A DWG NO: N/A		DA2405070020		

MECHANICAL DATA
 DURABILITY : 500 CYCLES
 TEMPERATURE RANGE : -65°C ~ + 165°C

ELECTRICAL DATA
 FREQUENCY RANGE: DC~6GHz
 IMPEDANCE : 50Ω
 VSWR : 1.5 MAX.
 WORKING VOLTAGE : AC 500V
 WITHSTANDING VOLTAGE : AC 1500V
 INSULATION RESISTANCE : 5000 MΩ MIN

GENERAL TOLERANCES
 .X ±0.2
 .XX ±0.2
 .XXX ±0.2
 ANGLES N/A