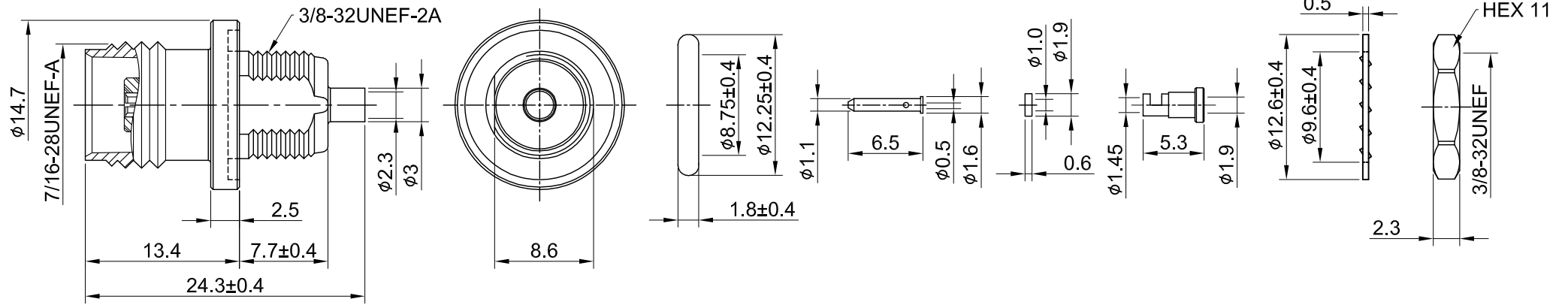
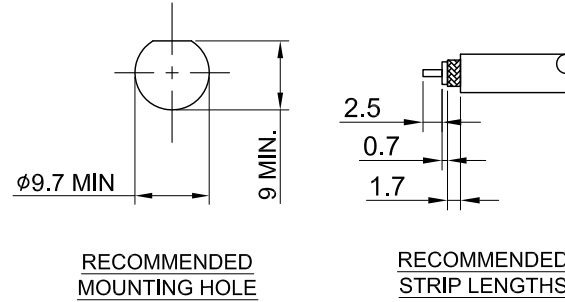


REV	DESCRIPTION	DATE
2.20	CHG $\phi 1.6$ W. $\phi 1.45$	2022/03/22
2.30	NEW DRAWING FRAME	2024/03/05



MECHANICAL DATA
 DURABILITY : 500 CYCLES
 TEMPERATURE RANGE : -65°C ~ + 165°C

ELECTRICAL DATA
 FREQUENCY RANGE: DC~6GHz
 IMPEDANCE : 50Ω
 VSWR : 1.5 MAX.
 WORKING VOLTAGE : AC 500V
 WITHSTANDING VOLTAGE : AC 1500V
 INSULATION RESISTANCE : 5000 MΩ MIN

12	O-RING	SILICONE RUBBER	BLACK	1
11	NUT	BRASS	NICKEL	1
10	LOCK WASHER	STEEL	NICKEL	1
09	FERRULE	BRASS	GOLD	1
08	INSULATOR GASKET	TEFLON	NONE	1
07	BULLET CONTACT	BRASS	GOLD	1
06	CABLE BODY	BRASS	NICKEL	1
05	CENTER CONTACT	Be.Cu	GOLD	1
04	INSULATOR A	TEFLON	NONE	1
03	CENTER PIN	P.BRONZE	GOLD	1
02	INSULATOR A	TEFLON	NONE	1
01	BODY	BRASS	NICKEL	1
NO	DESCRIPTION	MATERIAL	FINISH	Q'TY

TITLE		DRAWN BY: Kelly		2024/03/05
TNC(F) st. bh.(3/8"-32UNEF) front mount for RG178		CHK'D BY: Chilli		2024/03/05
DWG NO. C18CU3F178023-1		REV.		2.30
CUST. P/N: N/A		DA2403040021		
DWG NO: N/A		Unit: mm		
SHEET 1 of 1		GENERAL TOLERANCES		
		.X ±0.2		
		.XX ±0.2		
		.XXX ±0.2		
		ANGLES N/A		

