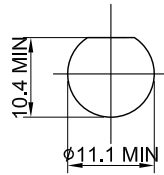
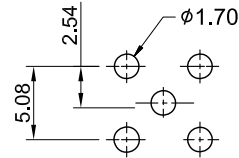


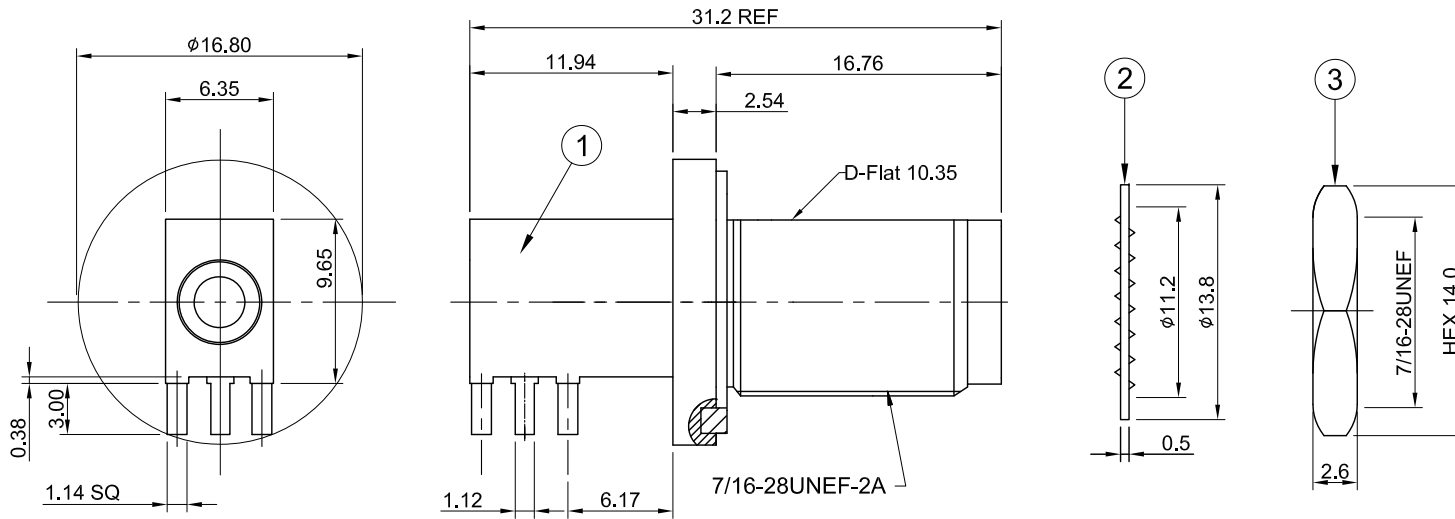
REV	DESCRIPTION	DATE
1.00	INITIAL DESIGN	2023/08/25



RECOMMENDED MOUNTING HOLE



RECOMMENDED PCB LAYOUT



03	NUT	BRASS	NICKEL	1
02	WASHER	BRASS	NICKEL	1
01	O RING	SILICONE RUBBER	RED	1
	GASKET	SILICONE RUBBER	RED	1
	CAP	BRASS	NICKEL	1
	INSULATOR C	TEFLON	NONE	1
	INSULATOR B	TEFLON	NONE	1
	INSULATOR A	TEFLON	NONE	1
	PIN	BRASS	GOLD	1
	CENTER PIN	P.BRONZE	GOLD	1
NO	DESCRIPTION	MATERIAL	FINISH	Q'TY

TITLE		C18DOWS28T									
DWG NO.		C18DOWS28T									
CUST. P/N: N/A		DRAWN BY: Kelly 2023/08/25									
DWG NO: N/A		CHK'D BY: JD.Wu 2023/08/25									
SHEET 1 of 1		Unit: mm									
GENERAL TOLERANCES		<table border="1"> <tr> <td>.X</td> <td>±0.2</td> </tr> <tr> <td>.XX</td> <td>±0.2</td> </tr> <tr> <td>.XXX</td> <td>±0.2</td> </tr> <tr> <td>ANGLES</td> <td>N/A</td> </tr> </table>		.X	±0.2	.XX	±0.2	.XXX	±0.2	ANGLES	N/A
.X	±0.2										
.XX	±0.2										
.XXX	±0.2										
ANGLES	N/A										
DA2308250014		REV. 1.00									

MECHANICAL DATA
 DURABILITY : 100 CYCLES
 TEMPERATURE RANGE : -65°C ~ + 165°C

ELECTRICAL DATA
 FREQUENCY RANGE: DC~4GHZ
 IMPEDANCE : 50Ω
 VSWR : 1.5 MAX.

