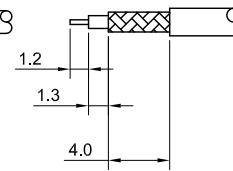
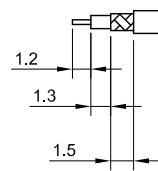
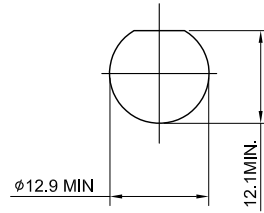


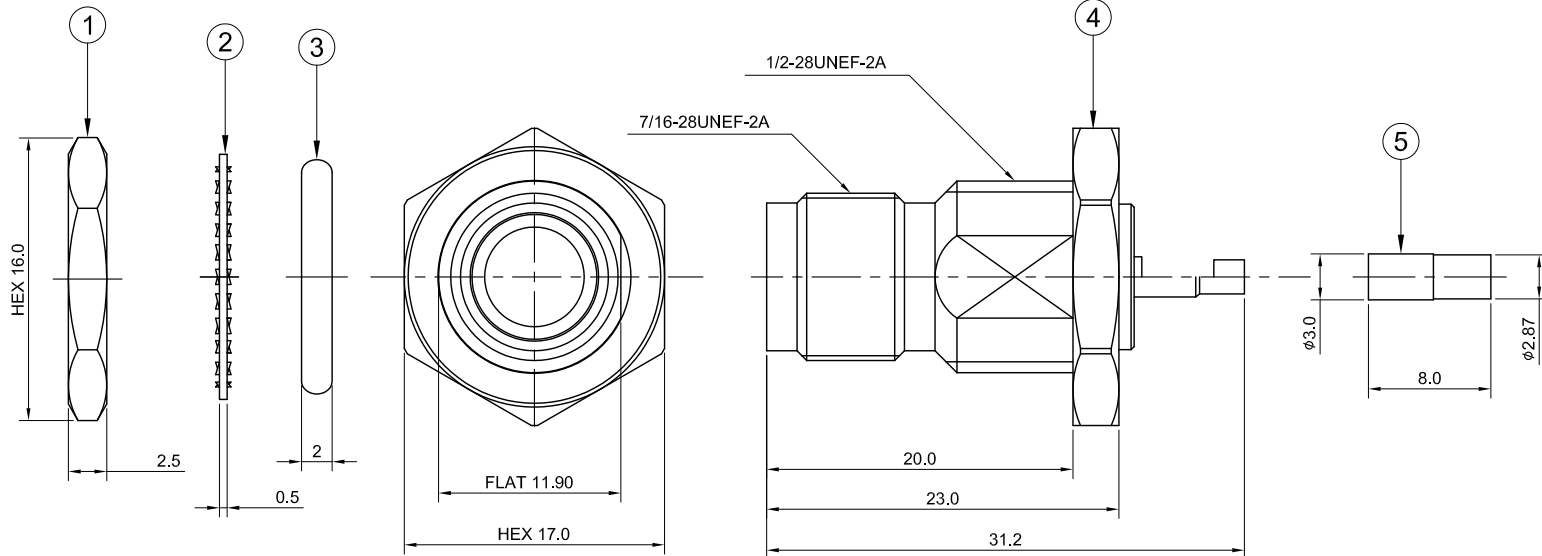
REV	DESCRIPTION	DATE
1.00	NEW DRAWING FRAME	2021/01/14
1.10	NEW DRAWING FRAME	2023/11/14



RECOMMENDED MOUNTING HOLE

0.81~1.48 CABLE RECOMMENDED STRIP LENGTHS

RG178 CABLE RECOMMENDED STRIP LENGTHS



MECHANICAL DATA
 DURABILITY : 100 CYCLES
 TEMPERATURE RANGE : -65°C ~ + 165°C

ELECTRICAL DATA
 FREQUENCY RANGE: DC~3GHZ
 IMPEDANCE : 50Ω
 VSWR : 1.5 MAX.
 WORKING VOLTAGE : AC 500V
 WITHSTANDING VOLTAGE : AC 1000V
 INSULATION RESISTANCE : 5000 MΩ MIN

05	FERRULE	BRASS	NICKEL	1
	PIN	P.BRONZE	GOLD	1
04	BARREL	BRASS	NICKEL	1
	GASKET B	SILICONE RUBBER	NONE	1
	INSULATOR B	TEFLON	NONE	1
	INSULATOR A	TEFLON	NONE	1
	BODY	STAINLESS STEEL	PASSIVATED	1
03	GASKET A	SILICONE RUBBER	BLACK	1
02	WASHER	STAINLESS STEEL	NICKEL	1
01	NUT	STAINLESS STEEL	PASSIVATED	1
NO	DESCRIPTION	MATERIAL	FINISH	Q'TY

TITLE
 TNC(F)bh.w/oring (D-flat11.9) for0.81~RG178
 SUS/Passivated(5psi), 3GHz

DWG NO.
 C18EDWS178003S-1

CUST.
 P/N: N/A
 DWG NO: N/A

SHEET 1 of 1 Unit: mm



GENERAL TOLERANCES		DRAWN BY: Kelly 2023/11/14	
.X	±0.2		REV. 1.10
.XX	±0.2		
.XXX	±0.2		
ANGLES	N/A	CHK'D BY: Maria 2023/11/14 DA2311140021	