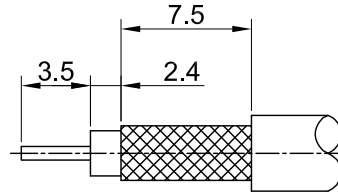
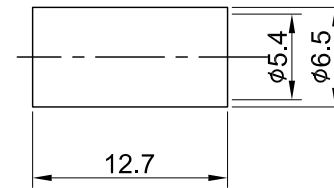
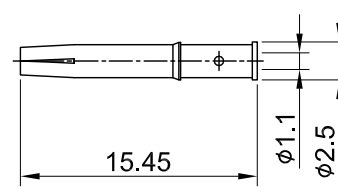
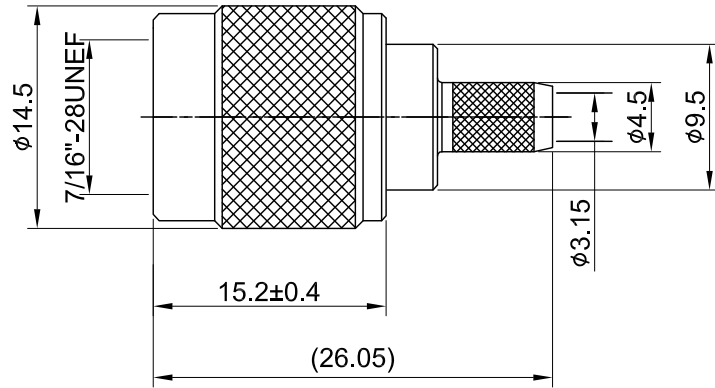


REV	DESCRIPTION	DATE
2.10	NEW DRAWING FRAME	2023/06/15
2.11	CORRECT PIN MATERIAL	2023/10/06



RECOMMENDED STRIP LENGTHS



MECHANICAL DATA
 DURABILITY : 100 CYCLES
 TEMPERATURE RANGE : -65°C ~ + 165°C

DIELECTRICAL DATA
 FREQUENCY RANGE: DC~6GHz
 IMPEDANCE : 50Ω
 VSWR : 1.5 MAX.
 WORKING VOLTAGE : AC 500V
 WITHSTANDING VOLTAGE : AC 1500V
 INSULATION RESISTANCE : 5000 MΩ MIN

07	FEUURLE	BRASS	NICKEL	1
06	PIN	P.BRONZE	GOLD	1
05	BODY	BRASS	NICKEL	1
04	INNER RETAINING RING	BRASS	NONE	1
03	GASKET	SILICONE RUBBER	RED	1
02	INSULATOR	TEFLON	NONE	1
01	SHELL	BRASS	NICKEL	1
NO	DESCRIPTION	MATERIAL	FINISH	Q'TY

TITLE		DRAWN BY: Kelly		2023/10/06	
RP TNC(M) st. crimp for RG58		CHK'D BY: Eileen		2023/10/06	
DWG NO. C25CA3F058A02		CUST. P/N: N/A		DWG NO: N/A	
SHEET 1 of 1		Unit: mm		DA2310060011	
GENERAL TOLERANCES		DRAWN BY: Kelly		2023/10/06	
.X ±0.2		CHK'D BY: Eileen		2023/10/06	
.XX ±0.2		REVISION		REV. 2.11	
.XXX ±0.2		DA2310060011			
ANGLES N/A					

