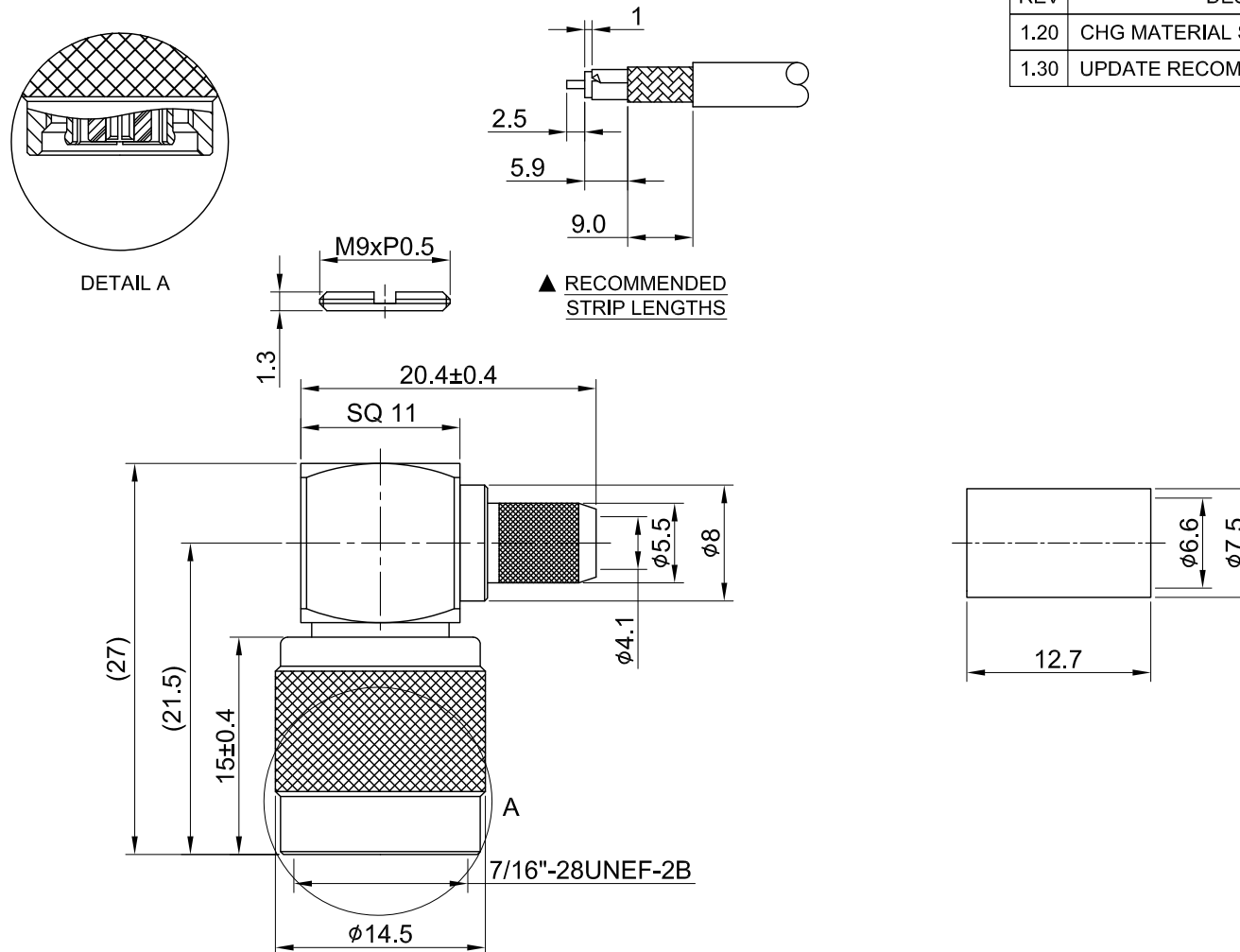


REV	DESCRIPTION	DATE
1.20	CHG MATERIAL SILICONE W. RUBBER	2020/09/25
1.30	UPDATE RECOMMENDED STRIP LENGTH	2023/10/31



10	FERRULE	BRASS	NICKEL	1
09	COVER	BRASS	NICKEL	1
08	BODY B	BRASS	NICKEL	1
07	BODY A	BRASS	NICKEL	1
06	CENTER PIN	P.BRONZE	GOLD	1
05	INSULATOR	TEFLON	NONE	1
04	WASHER	BRASS	NICKEL	1
03	INNER RETAINING RING	BRASS	NICKEL	1
02	GASKET	SILICONE RUBBER	RED	1
01	SHELL	BRASS	NICKEL	1
NO	DESCRIPTION	MATERIAL	FINISH	Q'TY

TITLE		RPTNC(M) ra. crimp type for LMR240	
DWG NO.		C25DA3FL24004	
CUST. P/N:		N/A	
DWG NO:		N/A	
SHEET		1 of 1	
Unit:		mm	
GENERAL TOLERANCES		DRAWN BY: Kelly 2023/10/31	
.X ±0.2		CHK'D BY: David 2023/10/31	
.XX ±0.2		REV.	
.XXX ±0.2		DA2310310016	
ANGLES N/A		1.30	

MECHANICAL DATA
 DURABILITY : 100 CYCLES
 TEMPERATURE RANGE : -65°C ~ + 165°C

ELECTRICAL DATA
 FREQUENCY RANGE: DC~3GHZ
 IMPEDANCE : 50Ω
 VSWR : 1.5 MAX.
 WORKING VOLTAGE : AC 500V
 WITHSTANDING VOLTAGE : AC 1500V
 INSULATION RESISTANCE : 5000 MΩ MIN