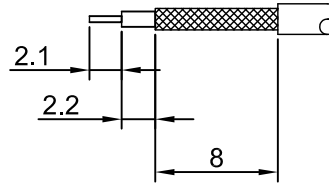
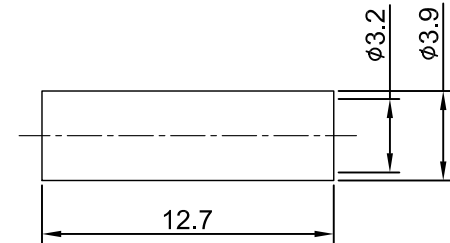
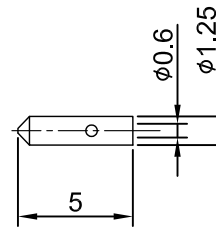
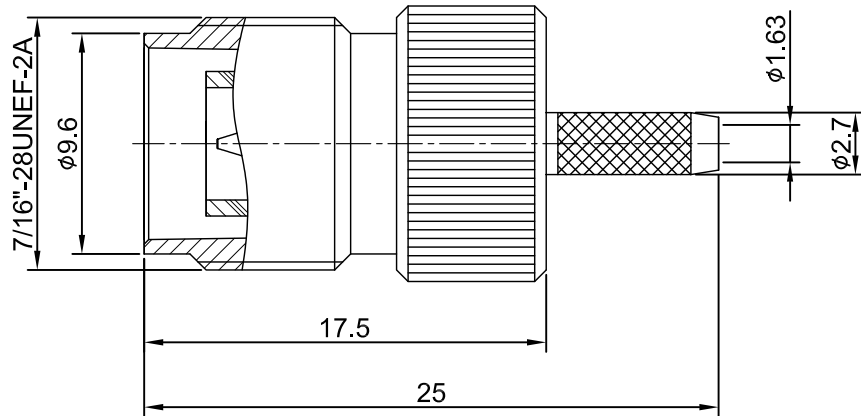


REV	DESCRIPTION	DATE
1.00	INITIAL DESIGN	2010/07/12
1.10	CHG PIN 5/φ1.25 w. 5.46/φ0.79	2018/04/23
1.20	NEW DRAWING FRAME	2025/03/11



RECOMMENDED STRIP LENGTHS



MECHANICAL DATA
TEMPERATURE RANGE : -65°C ~ + 165°C

ELECTRICAL DATA
FREQUENCY RANGE: DC~6GHz
IMPEDANCE : 50Ω
VSWR : 1.5 MAX.
WORKING VOLTAGE : AC 500V
WITHSTANDING VOLTAGE : AC 1500V
INSULATION RESISTANCE : 5000 MΩ MIN

07	FERRULE	BRASS	NICKEL	1
06	BULLET CONTACT	BRASS	GOLD	1
05	CENTER CONTACT	BERYLLIUM COPPER	GOLD	1
04	PIN	BRASS	GOLD	1
03	PRESS WASHER	BRASS	NICKEL	1
02	INSULATOR	TEFLON	NONE	1
01	BODY	BRASS	NICKEL	1
NO	DESCRIPTION	MATERIAL	FINISH	Q'TY

TITLE		DRAWN BY:		CHK'D BY:		REV.	
RP TNC(F) st. crimp for RG174		Oscar	2025/03/11	Eileen	2025/03/11		
DWG NO. C26CA3F174008D		GENERAL TOLERANCES		DA2503100011		1.20	
CUST. P/N: N/A DWG NO: N/A		.X ±0.2	.XX ±0.2	.XXX ±0.2	ANGLES ±3°		
SHEET 1 of 1	Unit: mm						

