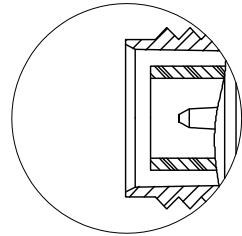
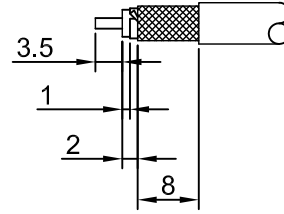


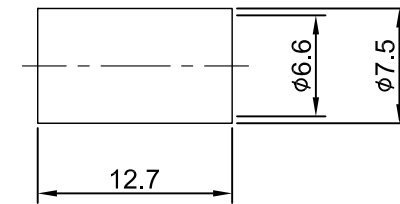
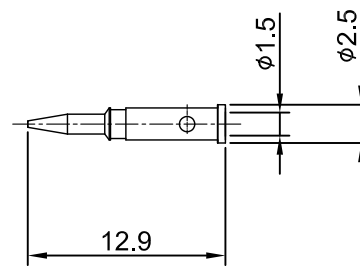
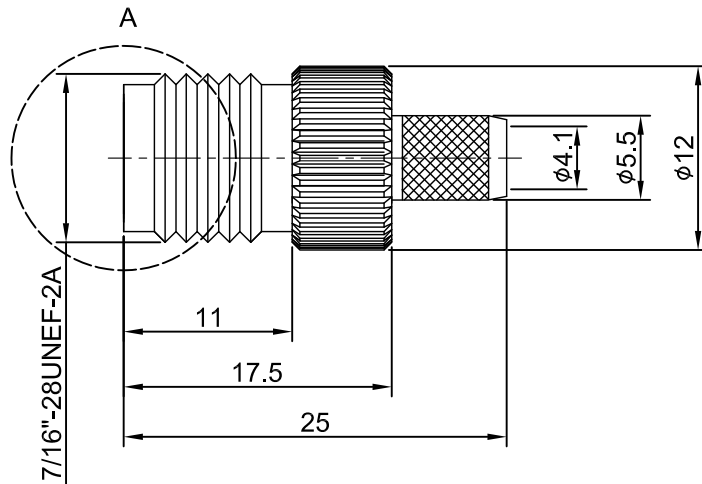
| REV | DESCRIPTION | DATE |
|------|-------------------|------------|
| 1.00 | INITIAL DESIGN | 2019/10/04 |
| 1.10 | NEW DRAWING FRAME | 2025/03/11 |



DETAIL A



RECOMMENDED STRIP LENGTHS



MECHANICAL DATA
TEMPERATURE RANGE : -65°C ~ + 165°C

ELECTRICAL DATA
FREQUENCY RANGE: DC~2.4GHz
IMPEDANCE : 50Ω
VSWR : 1.5 MAX.
WORKING VOLTAGE : AC 500V
WITHSTANDING VOLTAGE : AC 1500V
INSULATION RESISTANCE : 5000 MΩ MIN

| | | | | |
|----|--------------|----------|--------|------|
| 05 | FERRULE | BRASS | NICKEL | 1 |
| 04 | CENTER PIN | BRASS | GOLD | 1 |
| 03 | INSULATOR | TEFLON | NONE | 1 |
| 02 | PRESS WASHER | BRASS | NICKEL | 1 |
| 01 | BODY | BRASS | NICKEL | 1 |
| NO | DESCRIPTION | MATERIAL | FINISH | Q'TY |

| TITLE | | DRAWN BY: | | DATE | |
|-------------------------------------|----------|--------------|------------|-----------|--|
| RP TNC(F) st. for LMR240/H155 cable | | Oscar | 2025/03/11 | | |
| DWG NO. C26CA3FL24008B | | Eileen | 2025/03/11 | | |
| CUST. P/N: N/A DWG NO: N/A | | | | REV. 1.10 | |
| SHEET 1 of 1 | Unit: mm | DA2503100012 | | | |



Wellshow

GENERAL TOLERANCES
.X ±0.1
.XX ±0.1
.XXX ±0.1
ANGLES N/A