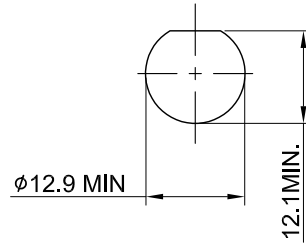
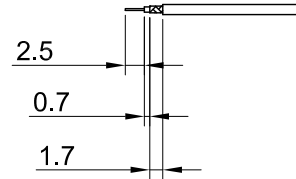


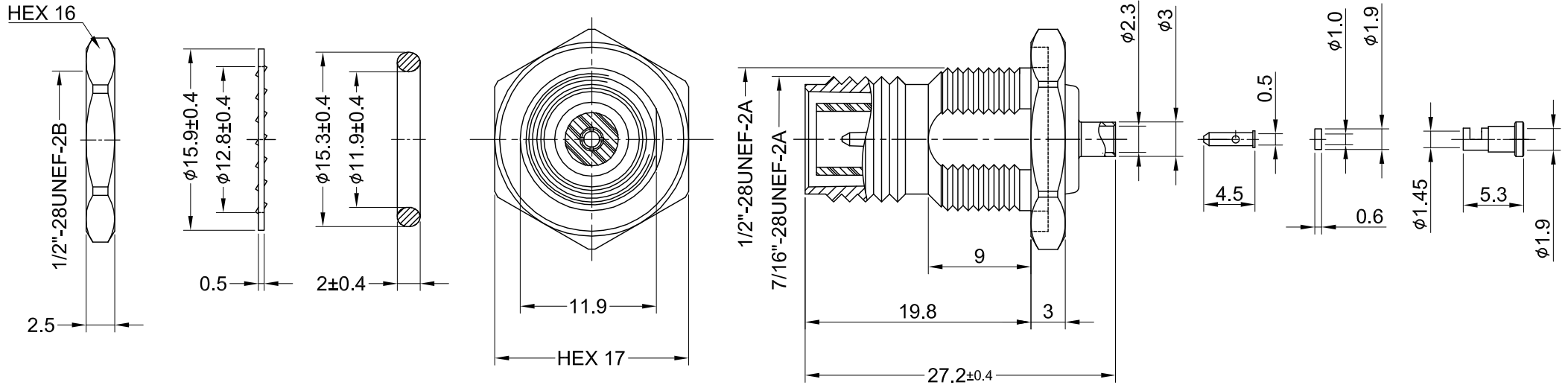
REV	DESCRIPTION	DATE
1.00	INITIAL DESIGN	2018/06/04
1.01	ADD recommended mounting hole	2018/12/03
1.20	Update BOM, Correct oring color black was red, chg 12 w. 11.9	2021/07/20
1.30	NEW DRAWING FRAME,CHG WASHER BRASS W. STEEL	2025/02/05



RECOMMENDED MOUNTING HOLE



RECOMMENDED STRIP LENGTHS



MECHANICAL DATA  
 DURABILITY : 100 CYCLES  
 TEMPERATURE RANGE : -65°C ~ + 165°C

ELECTRICAL DATA  
 FREQUENCY RANGE: DC~6GHz  
 IMPEDANCE : 50Ω  
 VSWR : 1.5 MAX.  
 WORKING VOLTAGE : AC 500V  
 WITHSTANDING VOLTAGE : AC 1000V  
 INSULATION RESISTANCE : 5000 MΩ MIN

10	NUT	BRASS	NICKEL	1
09	WASHER	BRASS	NICKEL	1
08	O-RING	SILICONE RUBBER	BLACK	1
07	FERRULE	BRASS	GOLD	1
06	GASKET	TEFLON	NONE	1
05	BULLET CONTACT	BRASS	GOLD	1
04	CHASSIS	BRASS	NICKEL	1
03	CENTER PIN	P.BRONZE	GOLD	1
02	INSULATOR	TEFLON	NONE	1
01	BODY	BRASS	NICKEL	1
NO	DESCRIPTION	MATERIAL	FINISH	Q'TY

TITLE		DRAWN BY:		DATE
RPTNC(F)st.bh.w/o-ring crimp for RG178 cable		Oscar	2025/02/05	
DWG NO.		CHK'D BY:		DATE
C26CD3F178003H		Eileen	2025/02/05	
CUST. P/N:		REVISION		DATE
N/A		REV.		
DWG NO:		DA		1.30
N/A				
SHEET	1 of 1	Unit: mm		